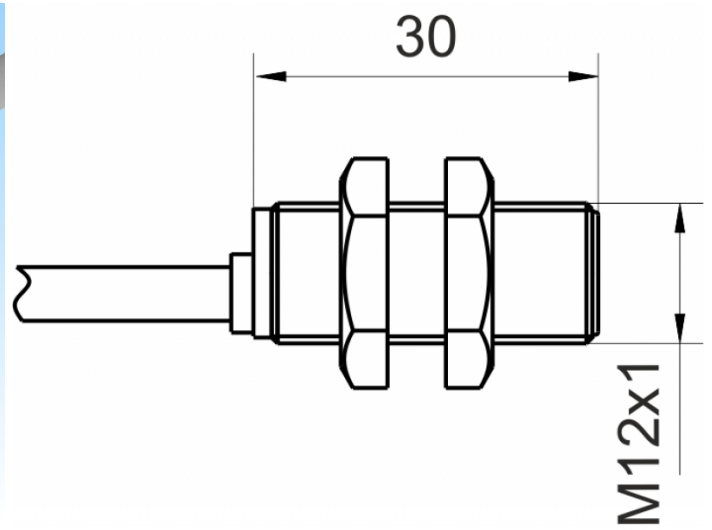
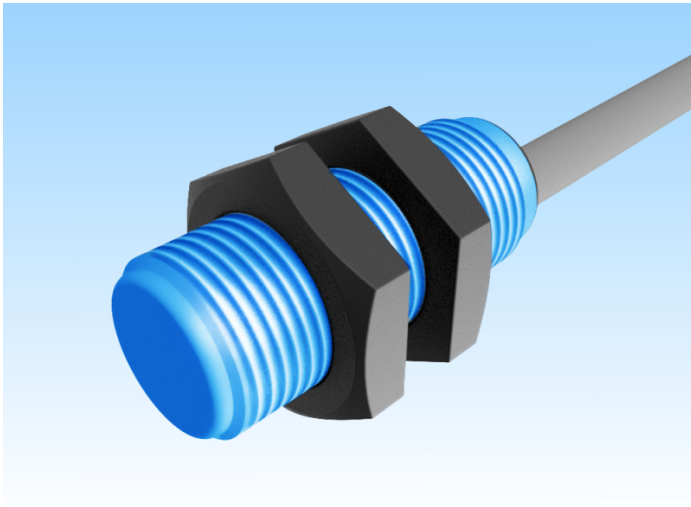


[Article Page](#)


Product Description

inductive sensor NAMUR

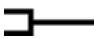


Name
Order number
Matchcode
Switching distance
Mounting

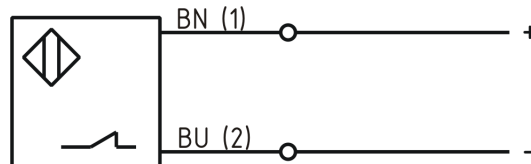
KJ2-M12KB30-NA
08317321100
9932-1100
2 mm

 shielded
Namur

Signal Type
Connection

 Cable

Connection diagramm



fine-pitch thread M12 x 30

Dimension (in mm)
Technical Specification
Operating voltage
Max. ripple
No load current
Switching frequency
Operating temperature
Temperature drift
Repeat accuracy
Time delay
Short-circuit proof
Overload protection
Reverse voltage protection
Protection category
EMC-level
Housing material
Cable length
Utilisation category
Cable material
Nominal operating voltage
Cable cross
Load Current OFF
Load Current ON

6 - 12 V DC
≤ 5 %
≤ 3,5 mA
2000 Hz
-25 ° C to 60 ° C
≤ 10 %
≤ 10 %
100 ms
yes
yes
yes
IP67
DIN EN 60947-5-6:2000-12
Trogamid
2 m
DC 13
PVC LIYY blau (blue)
8,2 V DC
2x0.25 mm²
ca. 0,5 mA
ca. 3,5 mA



KJ2-M12KB30-NA

Pulsotronic GmbH & Co. KG Neue Schichtstraße 14b 09366 Niederdorf Deutschland +49 (0)37296 930-200

FIT / MTTF acc. to SIEMENS 29500

17,63 / 6475y

Errors and omissions exceptet