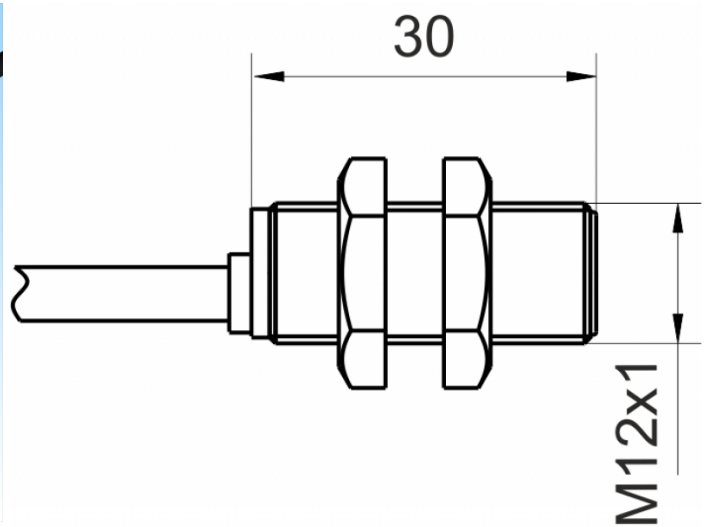
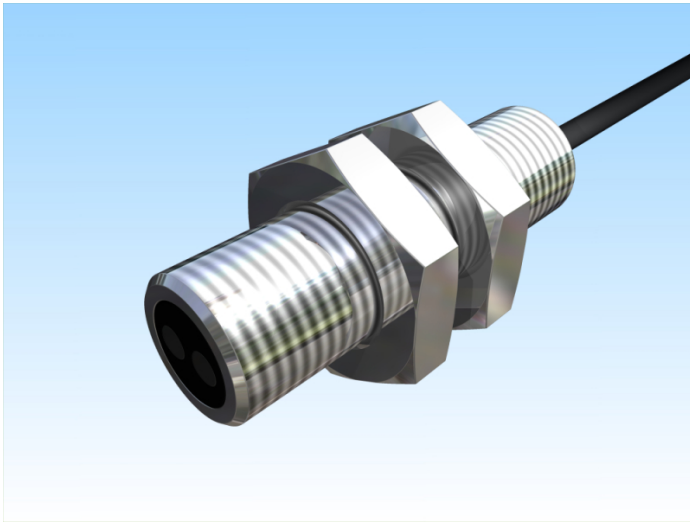


[Article Page](#)

Product Description


inductive sensor NAMUR




Name  
Order number  
Matchcode  
Switching distance  
Mounting

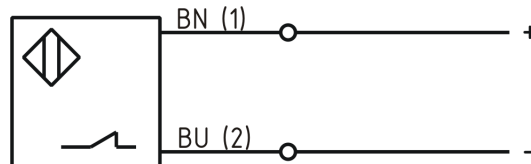
KJ2-M12MB30-NA-X0509  
08317320302  
9932-0302  
2 mm

Signal Type  
Connection

 shielded  
Namur

Connection diagramm

 Cable



Dimension (in mm)  
Technical Specification  
Special features  
Operating voltage  
Max. ripple  
No load current  
Switching frequency  
Operating temperature  
Temperature drift  
Repeat accuracy  
Time delay  
Short-circuit proof  
Overload protection  
Reverse voltage protection  
Protection category  
EMC-level  
Housing material  
Material active face  
Cable length  
Utilisation category  
Cable material  
Nominal operating voltage  
Cable cross

fine-pitch thread M12 x 30

5m connecting cable  
6 - 12 V DC  
≤ 5 %  
≤ 3,5 mA  
2000 Hz  
-25 ° C to 60 ° C  
≤ 10 %  
≤ 10 %  
100 ms  
yes  
yes  
yes  
IP67  
DIN EN 60947-5-6:2000-12  
Brass, nickel plated  
PCB  
5 m  
DC 13  
PVC LIYY blau (blue)  
8,2 V DC  
2x0.25 mm<sup>2</sup>



## KJ2-M12MB30-NA-X0509

Pulsotronic GmbH & Co. KG Neue Schichtstraße 14b 09366 Niederdorf Deutschland +49 (0)37296 930-200

Load Current OFF  
Load Current ON  
FIT / MTTF acc. to SIEMENS 29500

ca. 0,5 mA  
ca. 3,5 mA  
16,88 / 6763y

**Errors and omissions excepted**