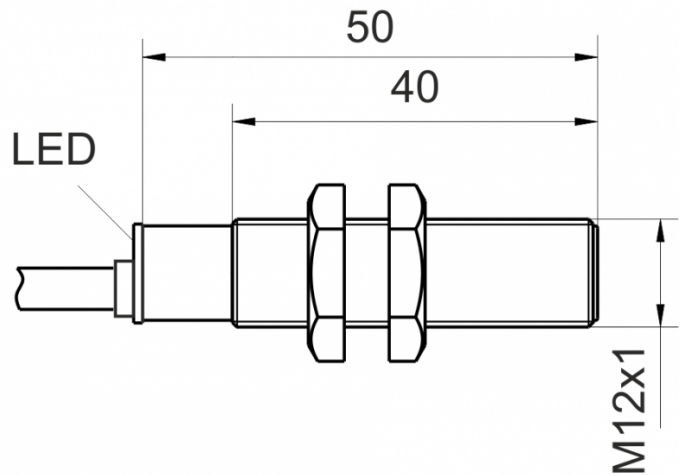
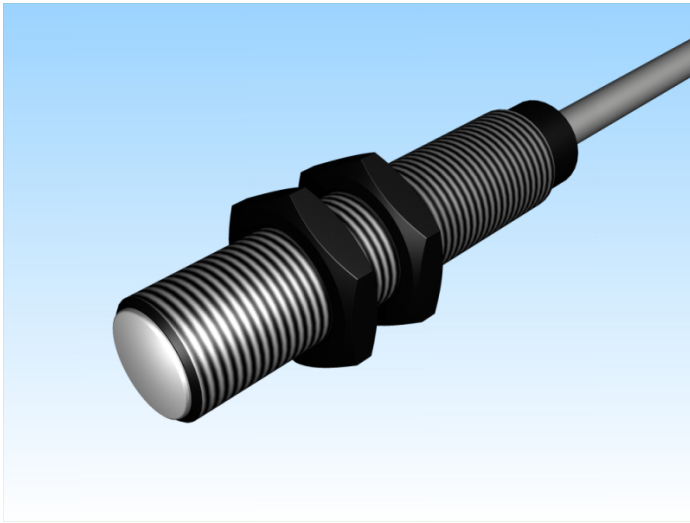


[Article Page](#)

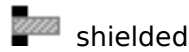
Product Description

inductive sensor weld immune

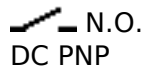


Name
Order number
Matchcode
Switching distance
Mounting

KJ2-M12MB50-DPS-SF
08317625840
9962-5840
2 mm



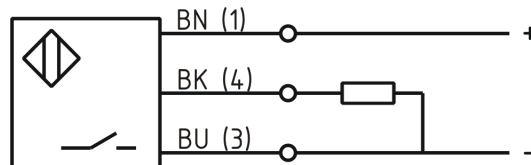
Switch type



Signal Type
Connection



Connection diagramm



Dimension (in mm)
Technical Specification
Special features

fine-pitch thread M12 x 50

max welding current 20 kA with 25mm distance of welding cable
resistant against alternating magnetic field up to 150 mT

Operating voltage
Max. ripple
Voltage drop
Max. load current
No load current
Leakage current
Switching frequency
Switching hysteresis
Operating temperature
Temperature drift
Repeat accuracy
Switching state
Time delay
Short-circuit proof
Overload protection

10 - 30 V DC
≤ 10 %
2,4 V
200 mA
≤ 10 mA
≤ 10 µA
15 Hz
≤ 15 %
-25 ° C to 75 ° C
≤ 10 %
≤ 10 %
LED
300 ms
yes
yes

Reverse voltage protection	yes
Protection category	IP67
EMC-level	DIN EN 60947-5-2:2008
Material active face	PTFE weiss (white)
Cable length	2 m
Utilisation category	DC 13
Cable material	PVC LIYY grau (grey)
Nominal operating voltage	24 V DC
Cable cross	3x0.34 mm ²
Housing Material	Brass, PTFE-coated
FIT / MTTF acc. to SIEMENS 29500	117,14 / 975y

Errors and omissions exceptet