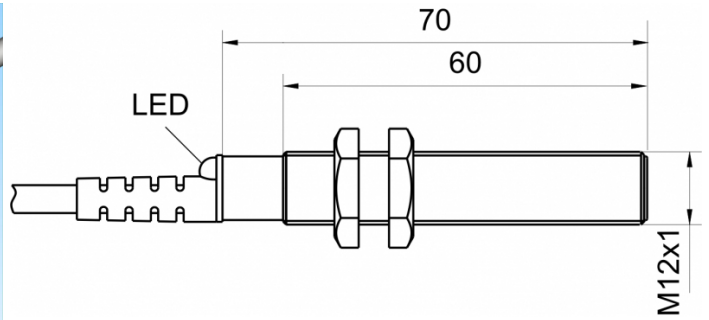
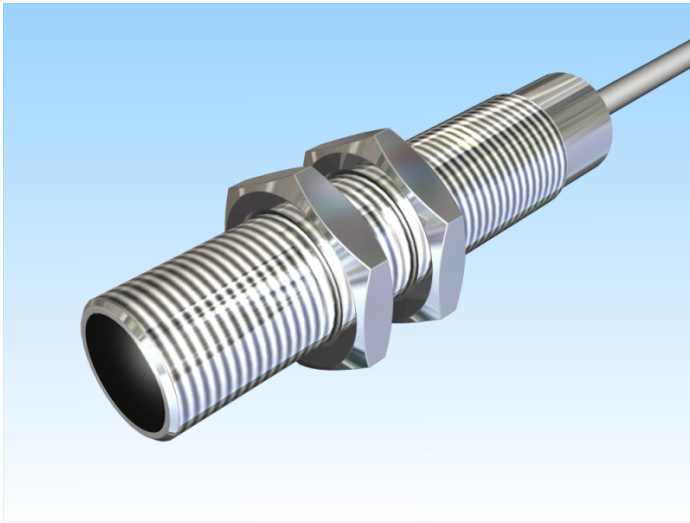


[Article Page](#)


Product Description

inductive sensor temperature immune




Name
Order number
Matchcode
Switching distance
Mounting

KJ2-M12MB70-DPS-T-X0309
08317626031
9962-6010
2 mm

 shielded

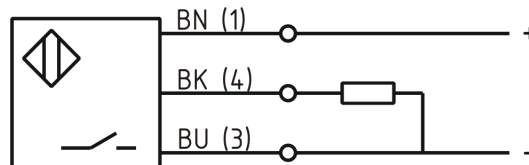
Switch type

 N.O.
DC PNP

Signal Type
Connection

 Cable

Connection diagramm



fine-pitch thread M12 x 70

Dimension (in mm)
Technical Specification
Special features

temperature resistant up to 100°C
housing extra Long 70mm

Operating voltage
Max. ripple
Voltage drop
Max. load current
No load current
Leakage current
Switching frequency
Switching hysteresis
Operating temperature
Temperature drift
Repeat accuracy
Switching state
Time delay
Short-circuit proof
Overload protection
Reverse voltage protection
Protection category

10 - 30 V DC
≤ 10 %
2,4 V
200 mA
≤ 10 mA
≤ 10 µA
1000
≤ 15 %
-40 ° C to 100 ° C
≤ 10 %
≤ 10 %
LED
300 ms
yes
yes
yes
IP67



KJ2-M12MB70-DPS-T-X0309

Pulsotronic GmbH & Co. KG Neue Schichtstraße 14b 09366 Niederdorf Deutschland +49 (0)37296 930-200

EMC-level	DIN EN 60947-5-2:2008
Housing material	Brass, nickel plated
Material active face	PCB
Cable length	5 m
Utilisation category	DC 13
Cable material	PUR LIFY11Y schwarz
Nominal operating voltage	24 V DC
Cable cross	3x0.34 mm ²
FIT / MTTF acc. to SIEMENS 29500	73,86 / 1546y

Errors and omissions exceptet