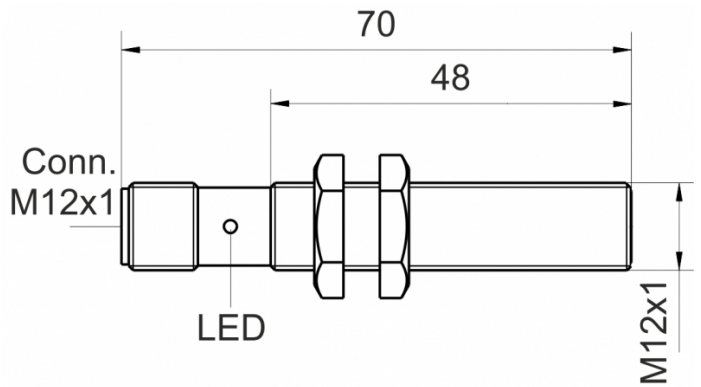


[Article Page](#)


Product Description

inductive sensor weld immune




Name
Order number
Matchcode
Switching distance
Mounting

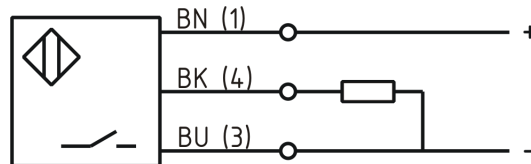
KJ2-M12MB70-DPS-V2-SF
08317625845
9962-5845
2 mm

 shielded

Switch type

 N.O.
DC PNP
connector M12

Signal Type
Connection
Connection diagramm



Dimension (in mm)
Technical Specification
Special features

fine-pitch thread M12 x 70

resistant against welding current up to 20 kA in a distance of 25mm to wires
proofed against alternating magnetic fields up to 150 mT

Operating voltage
Max. ripple
Voltage drop
Max. load current
No load current
Leakage current
Switching frequency
Switching hysteresis
Operating temperature
Temperature drift
Repeat accuracy
Switching state
Time delay
Short-circuit proof
Overload protection
Reverse voltage protection

10 - 30 V DC
≤ 10 %
2,4 V
200 mA
≤ 10 mA
≤ 10 μA
15 Hz
≤ 15 %
-25 ° C to 75 ° C
≤ 10 %
≤ 10 %
LED
300 ms
yes
yes
yes



KJ2-M12MB70-DPS-V2-SF

Pulsotronic GmbH & Co. KG Neue Schichtstraße 14b 09366 Niederdorf Deutschland +49 (0)37296 930-200

Protection category	IP67
EMC-level	DIN EN 60947-5-2:2008
Material active face	PTFE weiss (white)
Utilisation category	DC 13
Contact material	CuSn
Contact surface material	NiAu
Contact holder	PA 6
Nominal operating voltage	24 V DC
Termination	Connector M12 4pin
Housing Material	Brass, PTFE-coated
FIT / MTTF acc. to SIEMENS 29500	118,49 / 963y

Errors and omissions exceptet