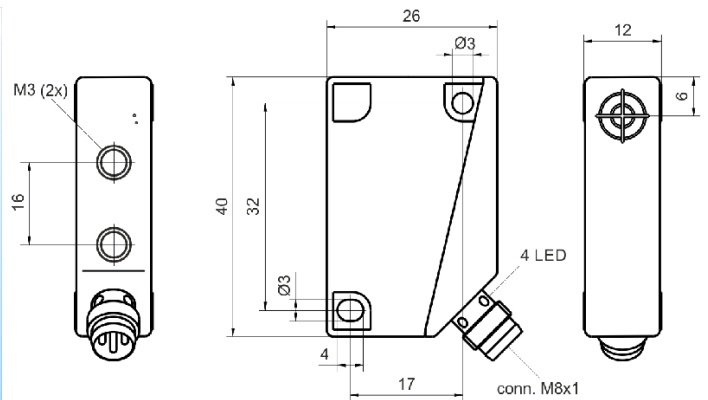
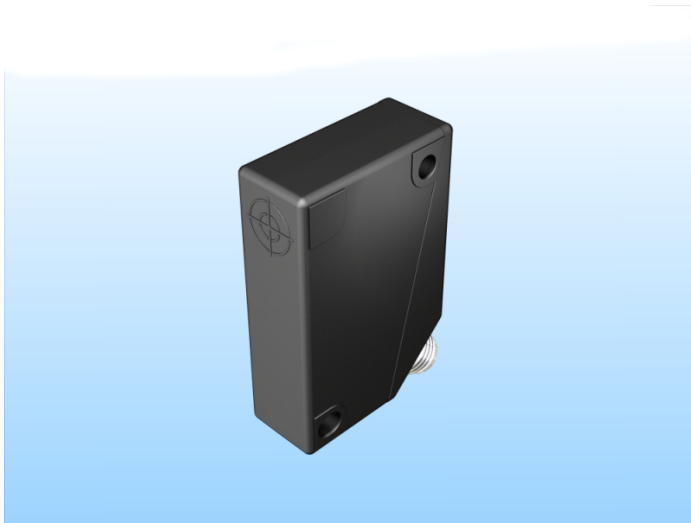


[Article Page](#)

Product Description

inductive sensor DC





Name
Order number
Matchcode
Switching distance
Mounting

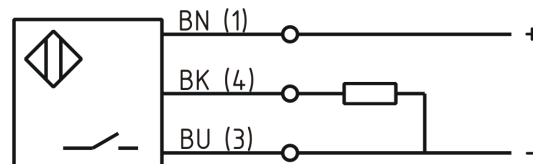
Switch type

Signal Type
Connection
Connection diagramm

KJ2-Q12KB-DPS-V1
08317613064
9861-3064
2 mm

 shielded

 N.O.
DC PNP
connector M8



Dimension (in mm)
Technical Specification
Operating voltage
Max. ripple
Voltage drop
Max. load current
No load current
Leakage current
Switching frequency
Switching hysteresis
Operating temperature
Temperature drift
Repeat accuracy
Switching state
Short-circuit proof
Overload protection
Reverse voltage protection
Protection category
EMC-level
Housing material
Utilisation category
Termination

Q 12 x 40 x 26

10 - 30 VDC
≤ 10 %
2,4 V
200 mA
≤ 13 mA
≤ 10 µA
1000
≤ 15 %
-25 ° C to 70 ° C
≤ 10 %
≤ 2 %
LED
yes
yes
yes
IP67
DIN EN 60947-5-2: 2008
PBT
DC 13
Connector M8 3pin

Errors and omissions exceptet