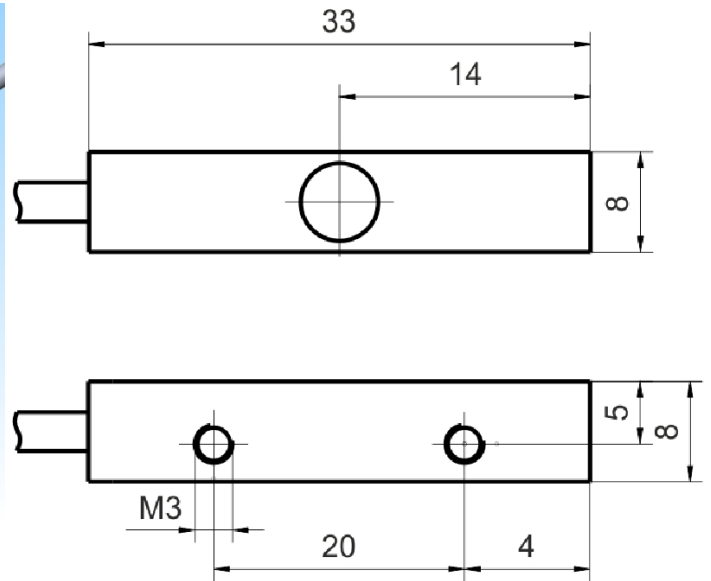
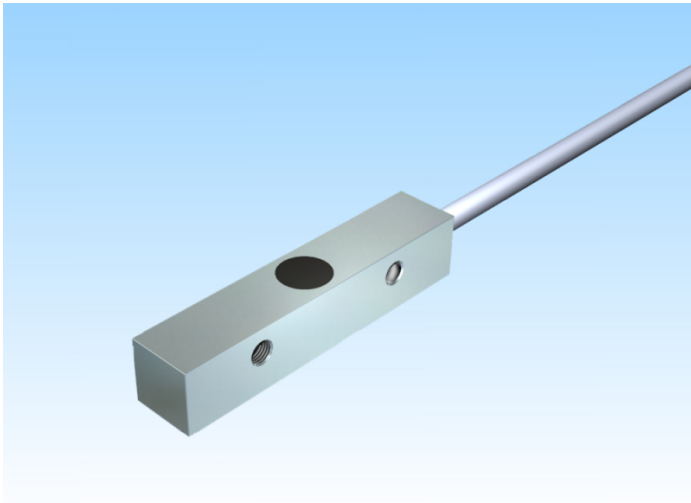


[Article Page](#)

Product Description

inductive sensor DC






Name
Order number
Switching distance
Mounting

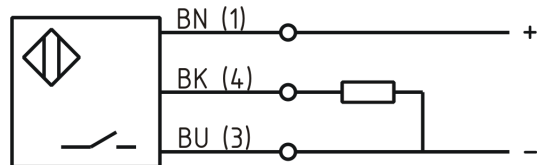
Switch type

Signal Type
Connection

Connection diagramm

KJ2-Q8AB-DPS-AM
08310000054
2 mm

-  shielded
-  N.O.
DC PNP
-  Cable



Q 8 x 8 x 33
10 - 30 V DC
≤ 10 %
2,4 V
200 mA
≤ 13 mA
≤ 10 μA
1000 Hz
≤ 15 %
-25 ° C to 70 ° C

Dimension (in mm)
Technical Specification
Operating voltage
Max. ripple
Voltage drop
Max. load current
No load current
Leakage current
Switching frequency
Switching hysteresis
Operating temperature
Temperature drift
Repeat accuracy
Switching state
Time delay
Short-circuit proof
Overload protection
Reverse voltage protection
Protection category
EMC-level

LED
100 ms
yes
yes
yes
IP67
DIN EN 60947-5-2: 2008



KJ2-Q8AB-DPS-AM

Pulsotronic GmbH & Co. KG Neue Schichtstraße 14b 09366 Niederdorf Deutschland +49 (0)37296 930-200

Housing material	Aluminum
Material active face	Ultramid
Cable length	2 m
Utilisation category	DC13
Cable material	PVC LIYY grau (grey)
Cable cross	3x0.14 mm ²
FIT / MTTf acc. to SIEMENS 29500	48,19 / 2369y

Errors and omissions excepted