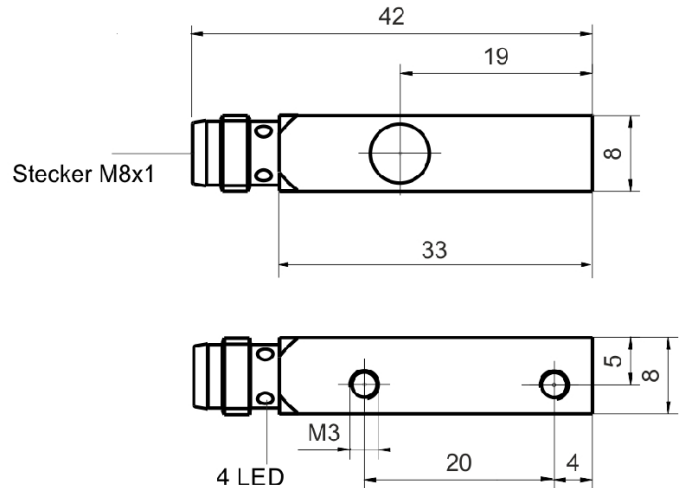
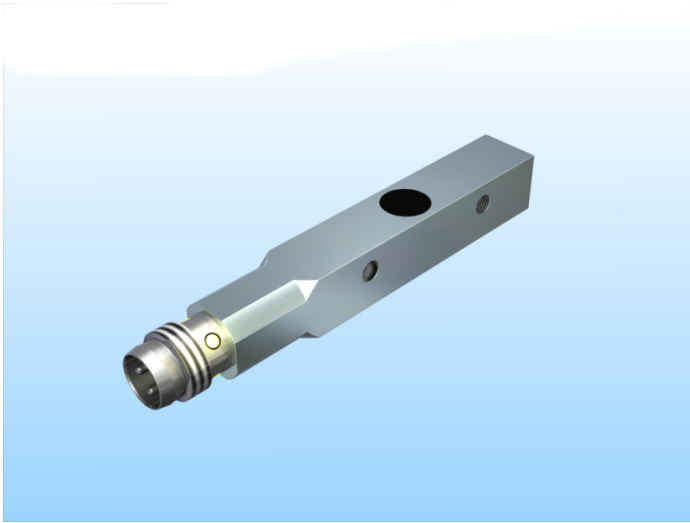


[Article Page](#)

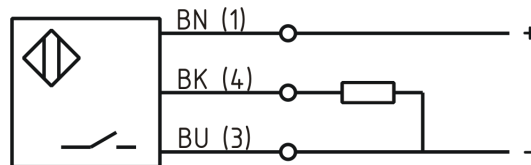
Product Description

inductive sensor DC



Name  
Order number  
Switching distance  
Mounting  
  
Switch type  
  
Signal Type  
Connection  
Connection diagramm

KJ2-Q8AB-DPS-V1-AM  
08310000369  
2 mm  
 shielded  
 N.O.  
DC PNP  
connector M8



Q 8 x 8 x 42

Dimension (in mm)  
Technical Specification  
Operating voltage  
Max. ripple  
Voltage drop  
Max. load current  
No load current  
Leakage current  
Switching frequency  
Switching hysteresis  
Operating temperature  
Temperature drift  
Repeat accuracy  
Switching state  
Time delay  
Short-circuit proof  
Overload protection  
Reverse voltage protection  
Protection category  
EMC-level  
Housing material  
Material active face  
Utilisation category

10 - 30 VDC  
≤ 10 %  
2,4 V  
200 mA  
≤ 13 mA  
≤ 10 µA  
1000 Hz  
≤ 15 %  
-25 ° C to 70 ° C  
≤ 10 %  
≤ 5 %  
LED  
100 ms  
yes  
yes  
yes  
IP67  
DIN EN 60947-5-2: 2008  
Aluminum  
Ultramid schwarz  
DC13



## KJ2-Q8AB-DPS-V1-AM

Pulsotronic GmbH & Co. KG Neue Schichtstraße 14b 09366 Niederdorf Deutschland +49 (0)37296 930-200

Contact material	Cu
Contact surface material	NiAu
Termination	Connector M8 3pin
FIT / MTTF acc. to SIEMENS 29500	58,05 / 1966y

**Errors and omissions exceptet**