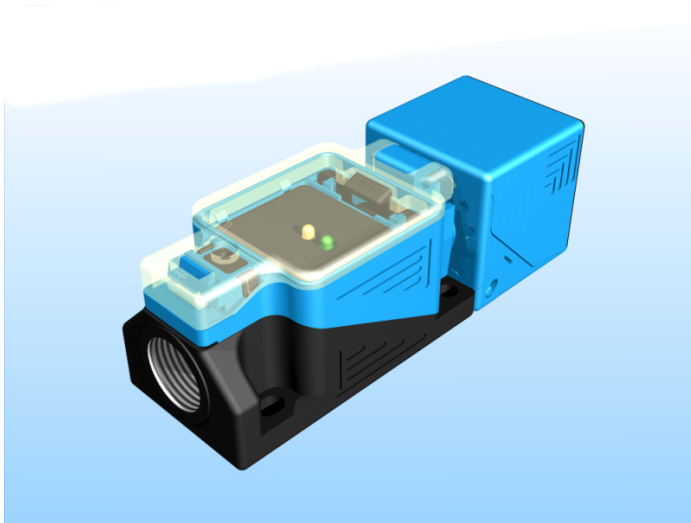
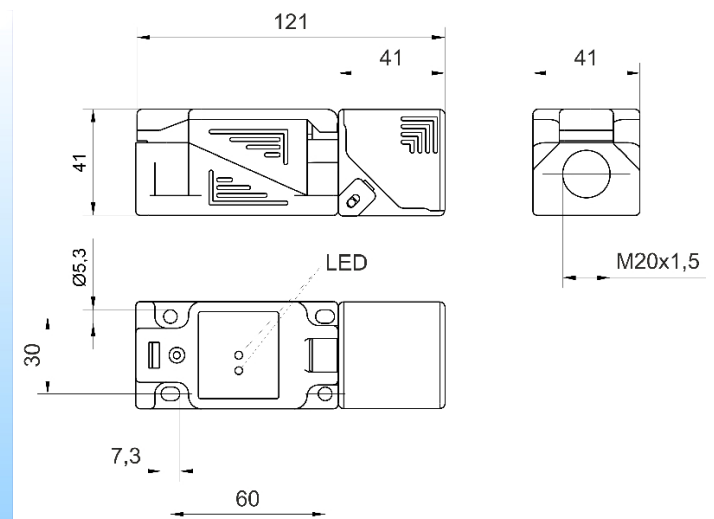


[Article Page](#)

Product Description





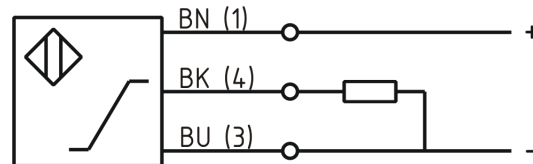
inductive sensor analogue



Name  
Order number  
Matchcode  
Switching distance  
Mounting  
  
Switch type  
  
Signal Type  
Connection  
Connection diagramm

KJ20-Q40KN-ANU  
08317141100  
9814-1100  
from 10 mm to 20 mm

 non shielded  
  
 analog  
Analog Voltage  
Terminal



Q 40 x 40 x 120

Dimension (in mm)  
Technical Specification  
Special features

Output Voltage 1 ... 9 Volt  
rotatable sensor head

Operating voltage  
Max. ripple  
No load current  
Switching frequency  
Operating temperature  
Temperature drift  
Repeat accuracy  
Linearity  
Time delay  
Reverse voltage protection  
Protection category  
EMC-level  
Housing material  
Material active face  
Utilisation category  
Nominal operating voltage  
Termination  
internalt load resistor

18 - 30 VDC  
≤ 10 %  
≤ 10 mA  
25 Hz  
-25 ° C to 70 ° C  
+/- 10 %  
≤ 5 %  
≤ 3 %  
500 ms  
yes  
IP67  
DIN EN 60947-5-7:2004-06  
Trogamid  
Trogamid T  
DC 13  
24 V DC  
Terminal 1,5mm<sup>2</sup>