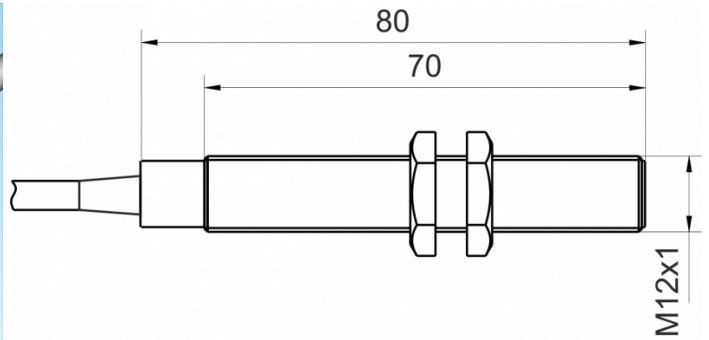
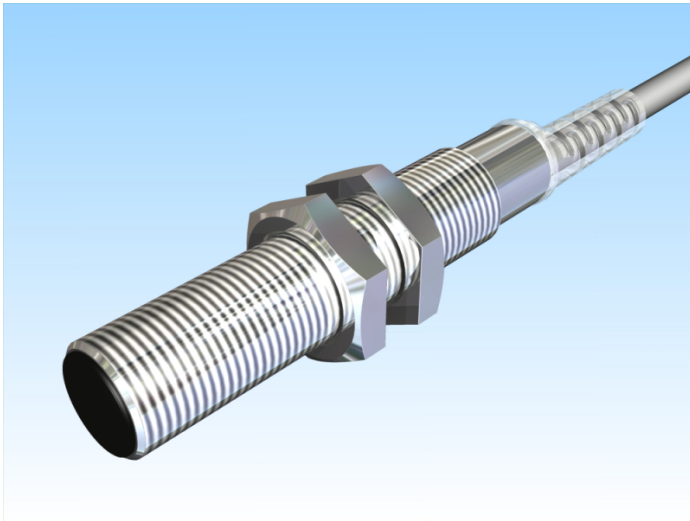


[Article Page](#)

Product Description


inductive sensor analogue



Name
Order number
Matchcode
Switching distance
Mounting

KJ2,5-M12MB80-ANU
08317140800
9914-0800
from 0,5 mm to 2,5 mm


Switch type

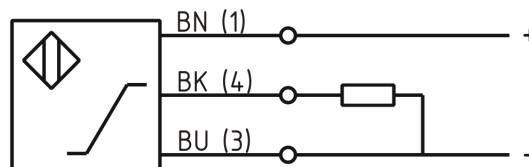
 shielded

Signal Type
Connection

 analog
Analog Voltage

Connection diagramm

 Cable



fine-pitch thread M12 x 80

Dimension (in mm)
Technical Specification
Special features
Operating voltage
Max. ripple
No load current
Switching frequency
Operating temperature
Temperature drift
Repeat accuracy
Linearity
Time delay
Resolution
Reverse voltage protection
Protection category
EMC-level
Housing material
Material active face
Cable length
Utilisation category
Cable material

Output Voltage 1 ... 9 V
18 - 30 VDC
≤ 5 %
≤ 10 mA
100 Hz
-25 ° C to 70 ° C
+/- 8 %
≤ 1 %
≤ 3 %
300 ms
4 V / mm
yes
IP67
DIN EN 60947-5-7:2004-06
Brass, nickel plated
PCB
2 m
DC 13
PVC LIYCY grau (grey)



KJ2,5-M12MB80-ANU

Pulsotronic GmbH & Co. KG Neue Schichtstraße 14b 09366 Niederdorf Deutschland +49 (0)37296 930-200

Nominal operating voltage
Cable cross
internal Load Resistor

24 V DC
3x0.14 mm²