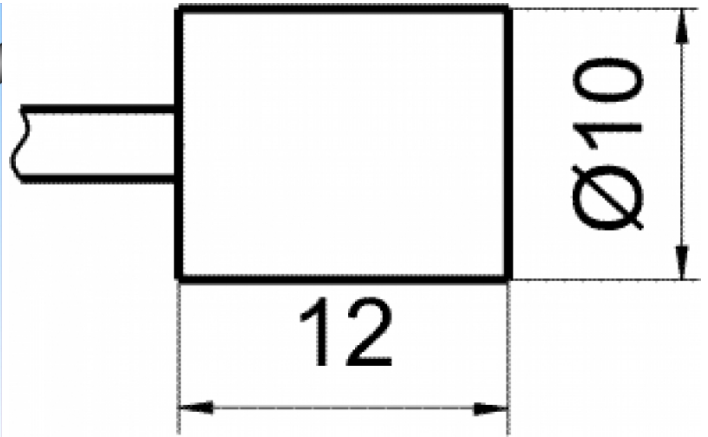
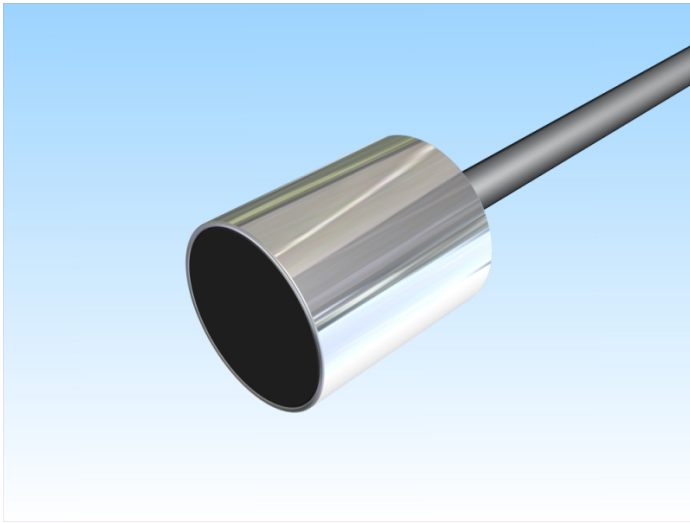


[Article Page](#)

Product Description


inductive sensor Pick-Up




Name
 Order number
 Matchcode
 art_schaltabstand_einstellbar
 Switching distance
 Mounting

 Connection

 Dimension (in mm)
 Technical Specification
 Special features
 Switching frequency
 Switching hysteresis
 Operating temperature
 Repeat accuracy
 Protection category
 EMC-level
 Housing material
 Material active face
 Cable length
 Cable material
 Cable cross
 FIT / MTTF acc. to SIEMENS 29500

KJ3-G10MB12
 08317061000
 9906-1000
 yes
 3 mm
 shielded

 Cable
 D 10 x 12

 Pickup sensor for using with amplifiers
 5000 Hz
 bei Sn = 1,5 mm < 0,05 mm
 -10 ° C to 70 ° C
 ≤ 0,01 mm
 IP67
 n.n.
 Brass, nickel plated
 PA 6.6
 2 m
 Koax PVC LI2YDY
 1x 1,0
 6,56 / 17402y

Errors and omissions exceptet