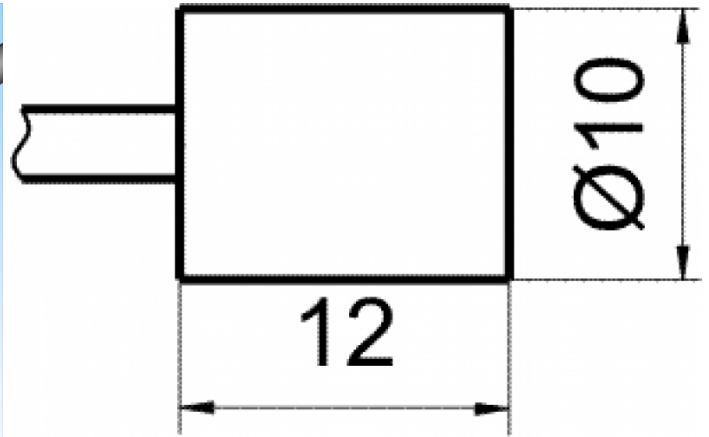
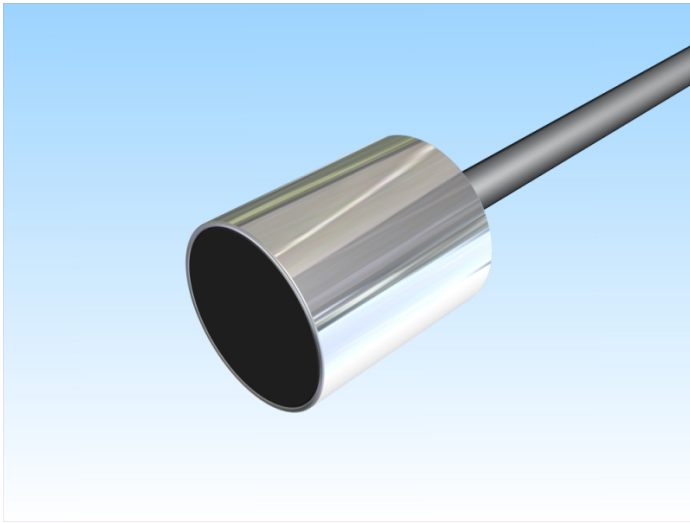




[Article Page](#)

Product Description

inductive sensor Pick-Up



Name  
 Order number  
 Matchcode  
 art\_schaltabstand\_einstellbar  
 Switching distance  
 Mounting  
  
 Connection  
  
 Dimension (in mm)  
 Technical Specification  
 Special features  
  
 Switching frequency  
 Switching hysteresis  
 Operating temperature  
 Repeat accuracy  
 Protection category  
 Housing material  
 Material active face  
 Cable length  
 Cable material  
 Cable cross  
 FIT / MTTF acc. to SIEMENS 29500

KJ3-G10MB12-VK  
 08317061100  
 9906-1100  
 yes  
 3 mm  
 shielded  
  
 Connector  
 D 10 x 12  
  
 Pickup sensor for using with Amplifiers  
 Termination with BNC-connector  
 5000 Hz  
 bei Sn = 1,5 mm < 0,05 mm  
 -10 ° C to 70 ° C  
 ≤ 0,0! mm  
 IP67  
 Brass, nickel plated  
 PA 6.6  
 2 m  
 Koax PVC LI2YDY  
 1x1,0 mm<sup>2</sup>  
 6,56 / 17402y

**Errors and omissions exceptet**