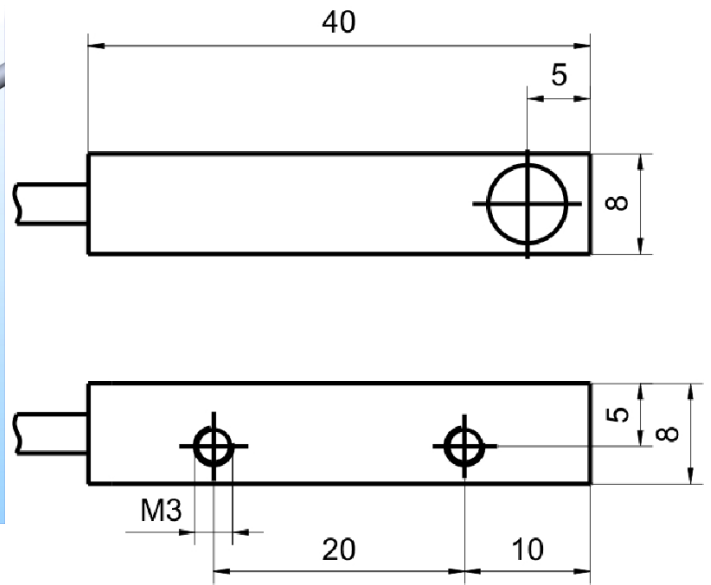
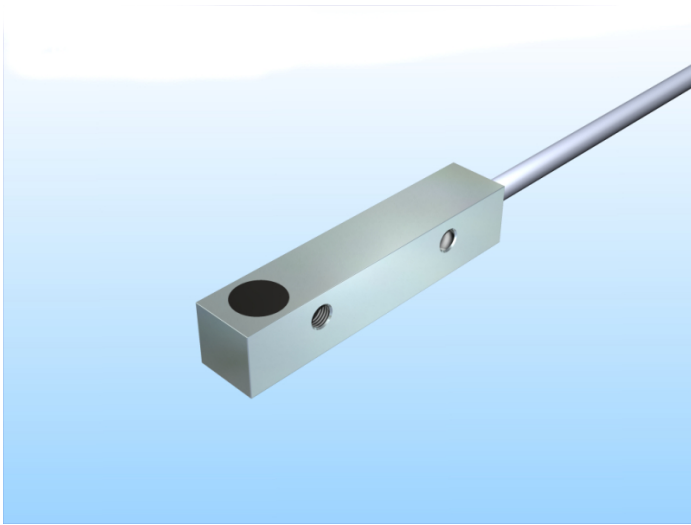


[Article Page](#)


Product Description

inductive sensor DC




Name  
Order number  
Matchcode  
Switching distance  
Mounting


KJ3-Q8MB40-DNS  
08317612100  
9861-2100  
3 mm

 shielded

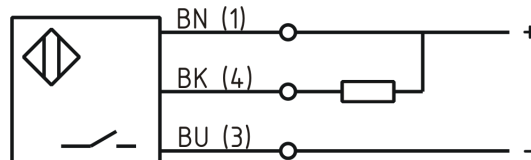
Switch type

 N.O.  
DC NPN

Signal Type  
Connection

 Cable

Connection diagramm



Q 8 x 8 x 40

Dimension (in mm)  
Technical Specification  
Special features  
Operating voltage  
Max. ripple  
Voltage drop  
Max. load current  
No load current  
Leakage current  
Switching frequency  
Switching hysteresis  
Operating temperature  
Temperature drift  
Repeat accuracy  
Switching state  
Time delay  
Short-circuit proof  
Overload protection  
Reverse voltage protection

quasi-shielded mounting  
10 - 30 VDC  
≤ 10 %  
2,4 V  
200 mA  
≤ 13 mA  
≤ 10 μA  
1000 Hz  
≤ 15 %  
-25 ° C to 70 ° C  
< 10 %  
≤ 5 %  
LED  
300 ms  
yes  
yes  
yes



## KJ3-Q8MB40-DNS

Pulsotronic GmbH & Co. KG Neue Schichtstraße 14b 09366 Niederdorf Deutschland +49 (0)37296 930-200

Protection category	IP67
EMC-level	DIN EN 60947-5-2:2008
Housing material	Brass, nickel plated
Material active face	PBT
Cable length	2 m
Utilisation category	DC 13
Cable material	PVC LIYY grau (grey)
Cable cross	3x0.14 mm <sup>2</sup>

**Errors and omissions exceptet**