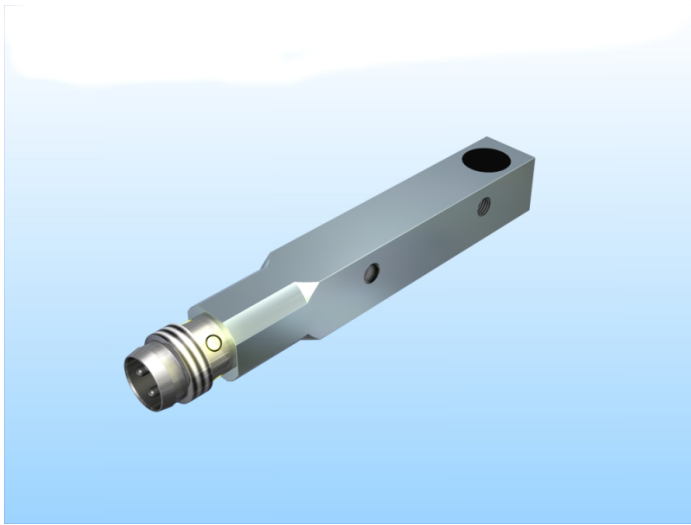
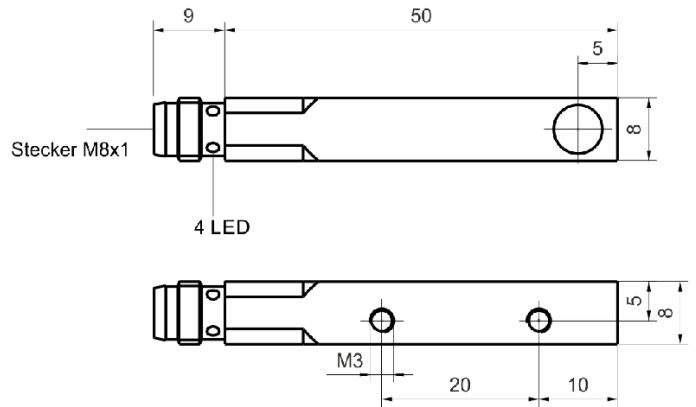


[Article Page](#)

Product Description



inductive sensor DC

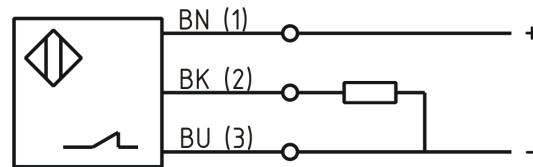


Name
Order number
Switching distance
Mounting

Switch type

Signal Type
Connection
Connection diagramm

KJ3-Q8MB60-DPÖ-V1
08313880321
3 mm
 shielded
 N.C.
DC PNP
connector M8



Q 8 x 8 x 60

Dimension (in mm)
Technical Specification
Operating voltage
Max. ripple
Voltage drop
Max. load current
No load current
Leakage current
Switching frequency
Switching hysteresis
Operating temperature
Temperature drift
Repeat accuracy
Switching state
Time delay
Short-circuit proof
Overload protection
Reverse voltage protection
Protection category
EMC-level
Housing material
Material active face
Utilisation category

10 - 30 V DC
≤ 10 %
2,4 V
200 mA
≤ 13 mA
≤ 10 µA
1000 Hz
≤ 15 %
-25°C ° C to 70 ° C
≤ 10 %
≤ 5 %
LED
300 ms
yes
yes
yes
IP 67
nach DIN EN 60947-5-2: 2008
Brass, nickel plated
Ultramid schwarz (black)
DC 13



KJ3-Q8MB60-DPÖ-V1

Pulsotronic GmbH & Co. KG Neue Schichtstraße 14b 09366 Niederdorf Deutschland +49 (0)37296 930-200

Contact material	Cu
Contact surface material	NiAu
Termination	Connector M8 3pin
FIT / MTTF acc. to SIEMENS 29500	52,25 / 2185y

Errors and omissions exceptet