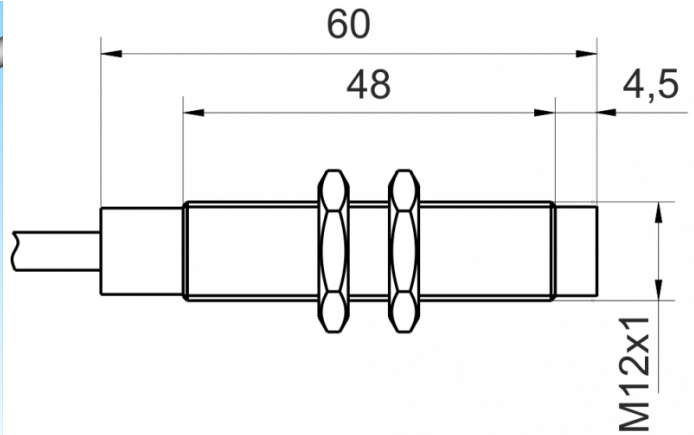
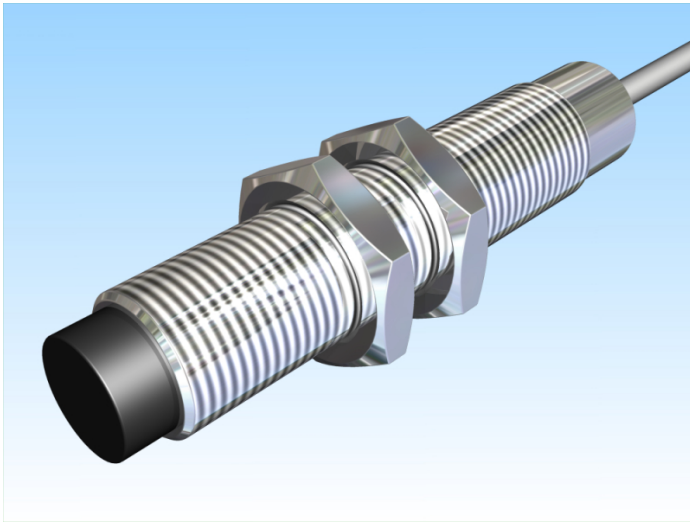


[Article Page](#)

Product Description

inductive sensor high temperature



Name  
Order number  
Switching distance  
Mounting

KJ4-M12EN60-DPS-HT150-X0240  
08310002501  
4 mm

non shielded

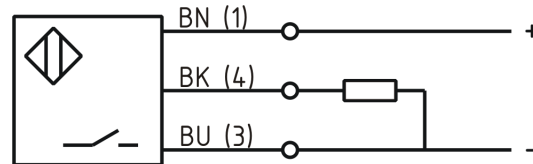
Switch type

N.O.  
DC PNP

Signal Type  
Connection

Cable

Connection diagramm



fine-pitch thread M12 x 60

Dimension (in mm)  
Technical Specification  
Special features

high temperature sensor up to 150°C  
Connecting Cable PTFE

Operating voltage  
Max. ripple  
Voltage drop  
Max. load current  
No load current  
Leakage current  
Switching frequency  
Switching hysteresis  
Operating temperature  
Temperature drift  
Repeat accuracy  
Time delay  
Short-circuit proof  
Reverse voltage protection  
Protection category  
Housing material  
Material active face  
Cable length

10 - 35 V DC  
≤ 10 %  
2 V  
120 mA  
≤ 15 mA  
≤ 20 μA  
500 Hz  
≤ 15 %  
-25 ° C to 150 ° C  
+/- 15 %  
≤ 3 %  
1 ms  
yes  
yes  
IP65  
Stainless steel V2A  
VECTRA  
2 m



## KJ4-M12EN60-DPS-HT150-X0240

Pulsotronic GmbH & Co. KG Neue Schichtstraße 14b 09366 Niederdorf Deutschland +49 (0)37296 930-200

Utilisation category	DC 13
Cable material	PTFE
Conductor diameter	1,2 mm mm mm
Nominal operating voltage	24 V DC
Cable cross	3x0.22 mm <sup>2</sup>
MTTF acc. to SIEMENS 29500	358y

**Errors and omissions exceptet**