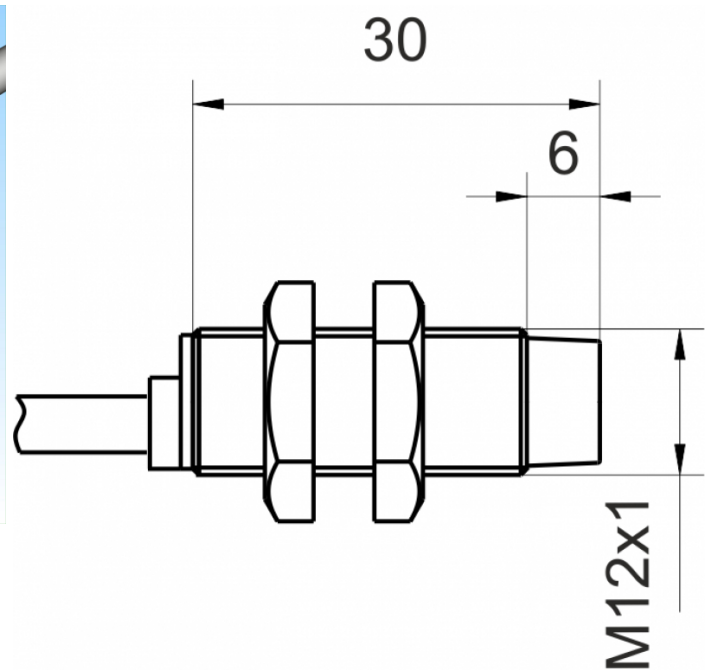
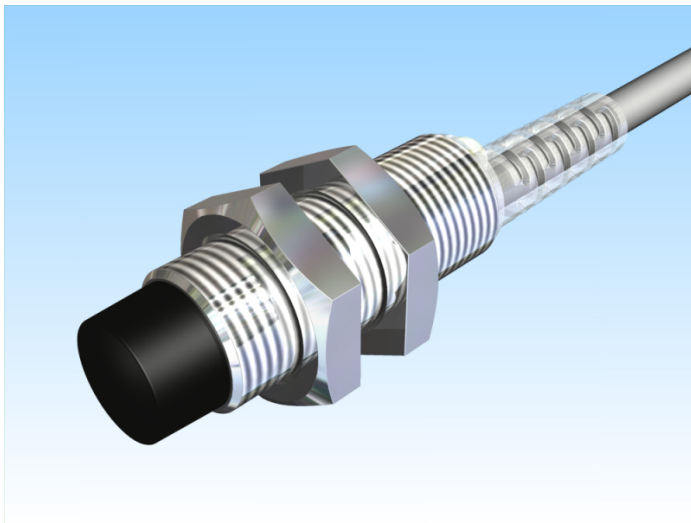


[Article Page](#)


Product Description

inductive sensor NAMUR




Name
Order number
Switching distance
Mounting

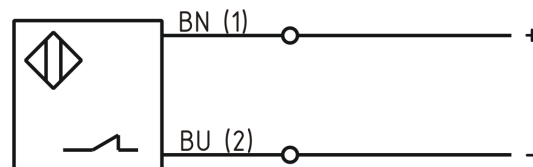
KJ4-M12MN30-NA-X0303
08317320410
4 mm

 non shielded
Namur

Signal Type
Connection

 Cable

Connection diagramm



fine-pitch thread M12 x 30

Dimension (in mm)
Technical Specification
Special features
Operating voltage
Max. ripple
No load current
Switching frequency
Operating temperature
Temperature drift
Repeat accuracy
Time delay
Short-circuit proof
Overload protection
Reverse voltage protection
Protection category
EMC-level
Housing material
Material active face
Cable length

Connecting cable PUR
6 - 12 V DC
≤ 5 %
≤ 3,5 mA
1000 Hz
-25 ° C to 60 ° C
≤ 10 %
≤ 10 %
100 ms
yes
yes
yes
IP67
DIN EN 60947-5-6:2000-12
Brass, nickel plated
PCB
2 m



KJ4-M12MN30-NA-X0303

Pulsotronic GmbH & Co. KG Neue Schichtstraße 14b 09366 Niederdorf Deutschland +49 (0)37296 930-200

Utilisation category	DC 13
Cable material	PUR LIFY11Y black
Nominal operating voltage	8,2 V DC
Cable cross	2x0.34 mm ²
Load Current OFF	ca. 0,5 mA
Load Current ON	ca. 3,5 mA
FIT / MTTF acc. to SIEMENS 29500	16,88 / 6763y

Errors and omissions exceptet