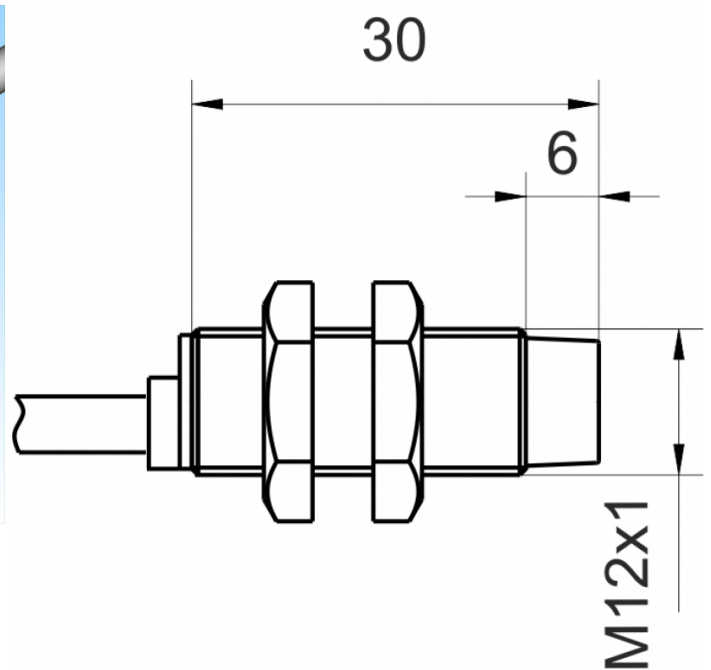
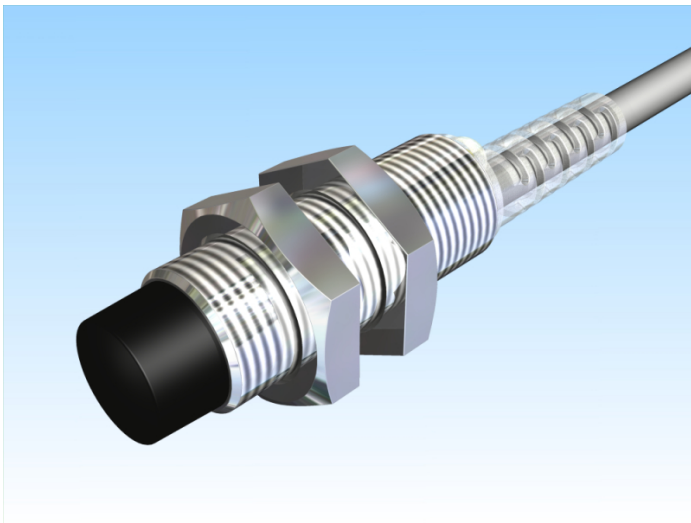


[Article Page](#)


Product Description

inductive sensor NAMUR




Name  
Order number  
Switching distance  
Mounting

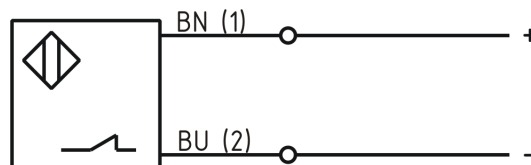
KJ4-M12MN30-NA-X0511  
08317320403  
4 mm

 non shielded  
Namur

Signal Type  
Connection

 Cable

Connection diagramm



fine-pitch thread M12 x 30

Dimension (in mm)  
Technical Specification  
Special features  
Operating voltage  
Max. ripple  
No load current  
Switching frequency  
Operating temperature  
Temperature drift  
Repeat accuracy  
Time delay  
Short-circuit proof  
Overload protection  
Reverse voltage protection  
Protection category  
EMC-level  
Housing material  
Material active face  
Cable length

6m connecting cable  
6 - 12 V DC  
≤ 5 %  
≤ 3,5 mA  
1000 Hz  
-25 ° C to 60 ° C  
≤ 10 %  
≤ 10 %  
100 ms  
yes  
yes  
yes  
IP67  
DIN EN 60947-5-6:2000-12  
Brass, nickel plated  
PCB  
6 m



## KJ4-M12MN30-NA-X0511

Pulsotronic GmbH & Co. KG Neue Schichtstraße 14b 09366 Niederdorf Deutschland +49 (0)37296 930-200

Utilisation category	DC 13
Cable material	PVC LIYY blau (blue)
Nominal operating voltage	8,2 V DC
Cable cross	2x0.25 mm <sup>2</sup>
Load Current OFF	ca. 0,5 mA
Load Current ON	ca. 3,5 mA
FIT / MTTF acc. to SIEMENS 29500	16,88 / 6763y

**Errors and omissions exceptet**