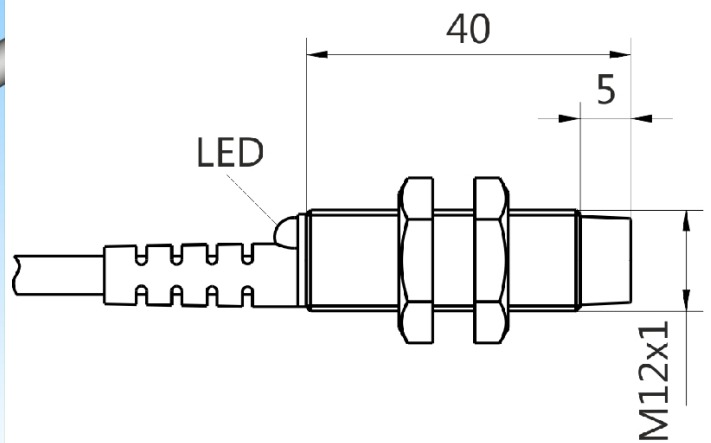
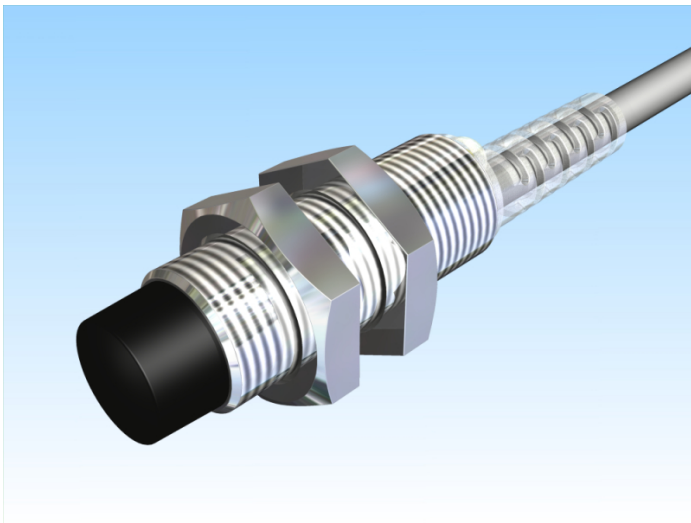


[Article Page](#)

Product Description

inductive sensor temperature immune




Name  
Order number  
Matchcode  
Switching distance  
Mounting


KJ4-M12MN40-DPS-T-X0309  
08317626112  
9962-6112  
4 mm

 non shielded

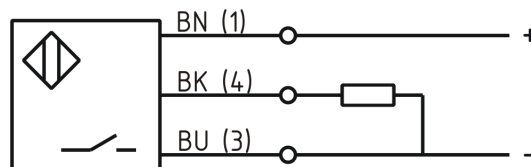
Switch type

 N.O.  
DC PNP

Signal Type  
Connection

 Cable

Connection diagramm



fine-pitch thread M12 x 40

Dimension (in mm)  
Technical Specification  
Special features  
Operating voltage  
Max. ripple  
Voltage drop  
Max. load current  
No load current  
Leakage current  
Switching frequency  
Switching hysteresis  
Operating temperature  
Temperature drift  
Repeat accuracy  
Switching state  
Time delay  
Short-circuit proof  
Overload protection  
Reverse voltage protection  
Protection category  
EMC-level

temperature resistant up to 100°C  
10 - 30 V DC  
≤ 10 %  
2,4 V  
200 mA  
≤ 10 mA  
≤ 10 µA  
1000  
≤ 15 %  
-40 ° C to 100 ° C  
≤ 10 %  
≤ 10 %  
LED  
300 ms  
yes  
yes  
yes  
IP67  
DIN EN 60947-5-2:2008

Housing material	Brass, nickel plated
Material active face	PCB
Cable length	5 m
Utilisation category	DC 13
Cable material	PUR LIFY11Y schwarz
Nominal operating voltage	24 V DC
Cable cross	3x0.34 mm <sup>2</sup>
FIT / MTTF acc. to SIEMENS 29500	73,86 / 1546y

**Errors and omissions exceptet**