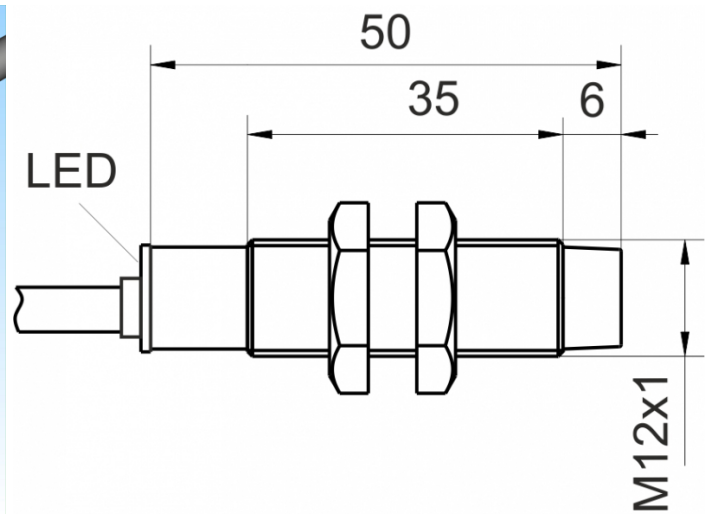
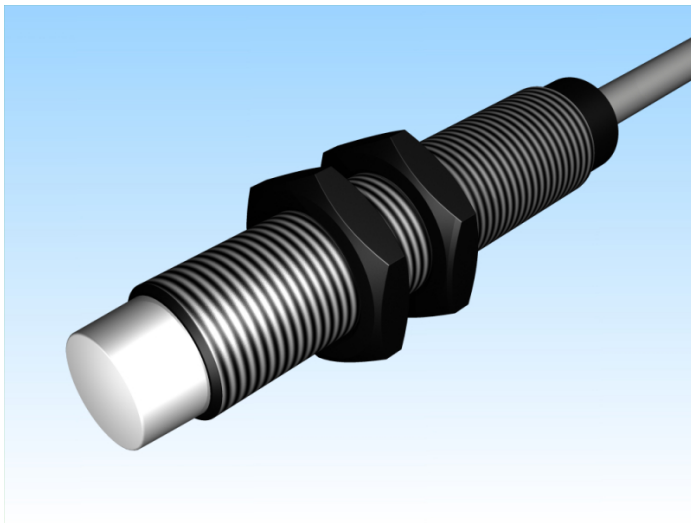


[Article Page](#)


Product Description

inductive sensor weld immune




Name  
Order number  
Matchcode  
Switching distance  
Mounting


KJ4-M12MN50-DPS-SF  
08317625900  
9962-5900  
4 mm

 non shielded

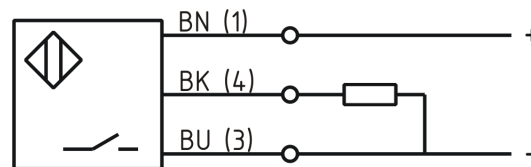
Switch type

 N.O.  
DC PNP

Signal Type  
Connection

 Cable

Connection diagramm



fine-pitch thread M12 x 50

Dimension (in mm)  
Technical Specification  
Special features

resistant against welding current up to 20 kA in a distance of 25mm to wires  
proofed against alternating magnetic fields up to 150 mT

Operating voltage  
Max. ripple  
Voltage drop  
Max. load current  
No load current  
Leakage current  
Switching frequency  
Switching hysteresis  
Operating temperature  
Temperature drift  
Repeat accuracy  
Switching state  
Time delay  
Short-circuit proof  
Overload protection

10 - 30 V DC  
≤ 10 %  
2,4 V  
200 mA  
≤ 10 mA  
≤ 10 µA  
15 Hz  
≤ 15 %  
-25 ° C to 75 ° C  
≤ 10 %  
≤ 10 %  
LED  
300 ms  
yes  
yes

Reverse voltage protection	yes
Protection category	IP67
EMC-level	DIN EN 60947-5-2:2008
Housing material	Brass, nickel plated
Material active face	PCB
Cable length	2 m
Utilisation category	DC 13
Cable material	PVC LIYY grau (grey)
Nominal operating voltage	24 V DC
Cable cross	3x0.34 mm <sup>2</sup>
FIT / MTTF acc. to SIEMENS 29500	117,14 / 975y

**Errors and omissions exceptet**