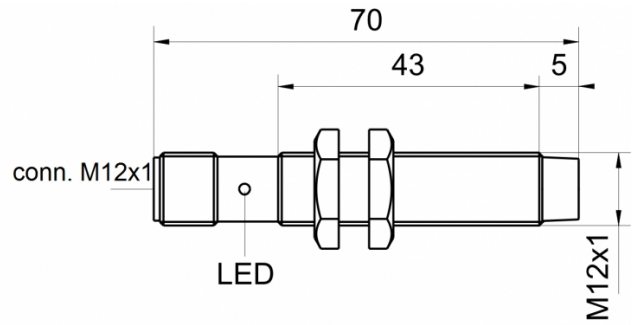




[Article Page](#)

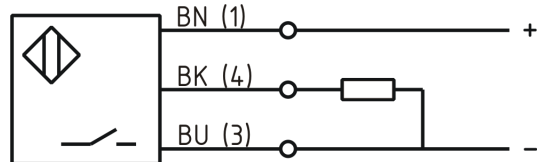
Product Description

inductive sensor weld immune



Name  
Order number  
Matchcode  
Switching distance  
Mounting  
  
Switch type  
  
Signal Type  
Connection  
Connection diagramm

KJ4-M12MN70-DPS-V2-SF  
08317625965  
9962-5965  
4 mm  
  
 non shielded  
  
 N.O.  
DC PNP  
connector M12



Dimension (in mm)  
Technical Specification  
Special features

fine-pitch thread M12 x 70

resistant against welding current up to 20 kA in a distance of 25mm to wires  
proofed against alternating magnetic fields up to 150 mT

Operating voltage  
Max. ripple  
Voltage drop  
Max. load current  
No load current  
Leakage current  
Switching frequency  
Switching hysteresis  
Operating temperature  
Temperature drift  
Repeat accuracy  
Switching state  
Time delay  
Short-circuit proof  
Overload protection  
Reverse voltage protection

10 - 30 V DC  
≤ 10 %  
2,4 V  
200 mA  
≤ 10 mA  
≤ 10 µA  
15 Hz  
≤ 15 %  
-25 ° C to 75 ° C  
≤ 10 %  
≤ 10 %  
LED  
300 ms  
yes  
yes  
yes



## KJ4-M12MN70-DPS-V2-SF

Pulsotronic GmbH & Co. KG Neue Schichtstraße 14b 09366 Niederdorf Deutschland +49 (0)37296 930-200

Protection category	IP67
EMC-level	DIN EN 60947-5-2:2008
Housing material	Brass, nickel plated
Material active face	PCB
Utilisation category	DC 13
Contact material	CuSn
Contact surface material	NiAu
Contact holder	PA 6
Nominal operating voltage	24 V DC
Termination	Connector M12 4pin
FIT / MTTF acc. to SIEMENS 29500	118,49 / 963y

**Errors and omissions excepted**