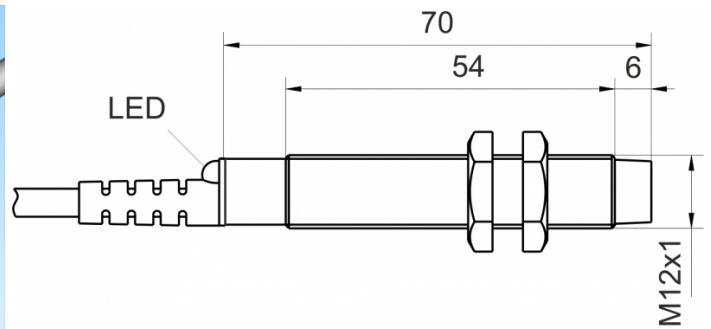
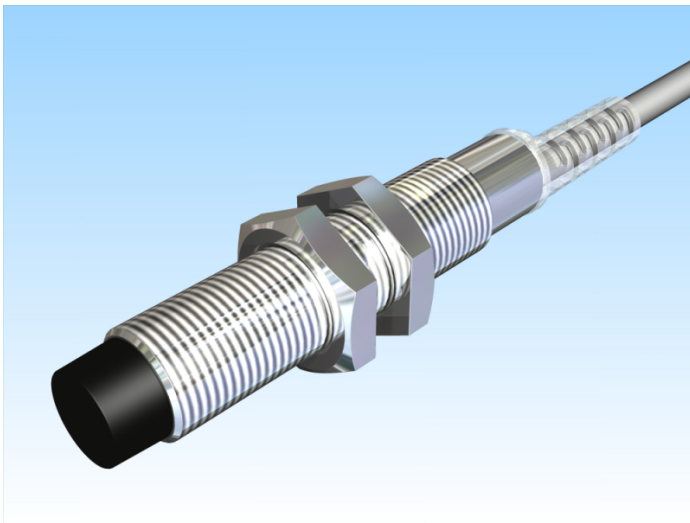


[Article Page](#)

Product Description

inductive sensor AC/DC



Name
Order number
Switching distance
Mounting

KJ4-M12MN70-VZS
08310002267
4 mm

non shielded

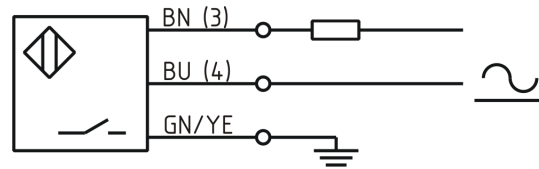
Switch type

N.O.
AC/DC

Signal Type
Connection

Cable

Connection diagramm



Dimension (in mm)
Technical Specification
Operating voltage
Voltage drop
Max. load current
Leakage current
Switching frequency
Switching hysteresis
Operating temperature
Temperature drift
Repeat accuracy
Switching state
Time delay
Short-circuit proof
Overload protection
Reverse voltage protection
Protection category
EMC-level
Material active face
Cable length
Utilisation category
Cable material

fine-pitch thread M12 x 70

20 - 250 V AC/DC
5 V
300 mA
≤ 1,7 mA
30 Hz
≤ 15 %
-25 ° C to 70 ° C
≤ 10 %
≤ 5 %
LED
300 ms
yes
yes
yes
IP67
DIN EN 60947-5-2:2008
PCB
2 m
DC 13
PVC grau (grey) LIYY



KJ4-M12MN70-VZS

Pulsotronic GmbH & Co. KG Neue Schichtstraße 14b 09366 Niederdorf Deutschland +49 (0)37296 930-200

Cable cross

3x0.5 mm²

Errors and omissions exceptet