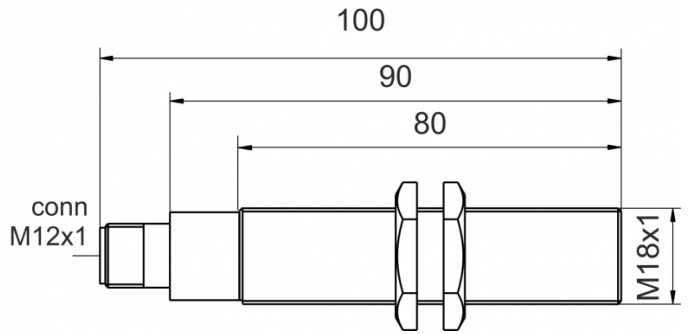
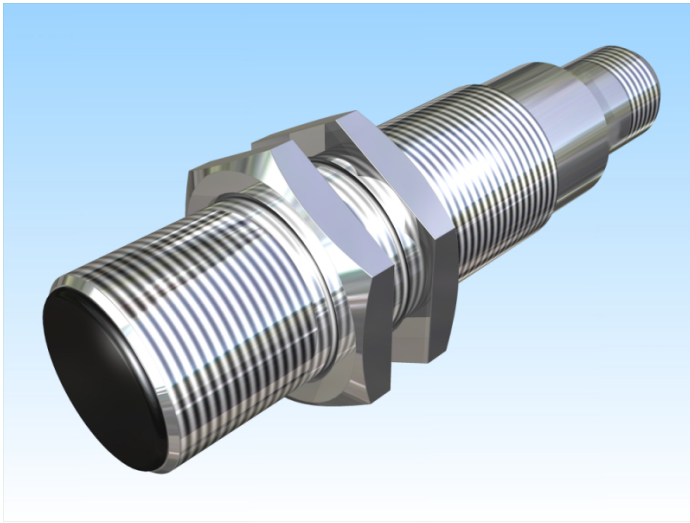


[Article Page](#)

Product Description

inductive sensor analogue




Name
Order number
Matchcode
Switching distance
Mounting

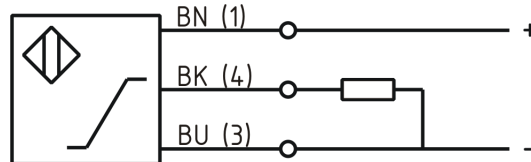
Switch type

Signal Type
Connection
Connection diagramm

KJ4-M18MB100-ANU-V2
08317140965
9914-0965
from 1 mm to 4 mm

 shielded

 analog
Analog Voltage
connector M12



fine-pitch thread M18 x 100

Dimension (in mm)
Technical Specification
Special features
Operating voltage
Max. ripple
No load current
Switching frequency
Operating temperature
Temperature drift
Repeat accuracy
Linearity
Analog output
Time delay
Resolution
Reverse voltage protection
Protection category
EMC-level
Housing material
Material active face
Rated operating current at 40° C
Rated operating voltage
Utilisation category

Output Voltage 1 ... 9 Volt
18 - 30 VDC
≤ 10 %
≤ 10 mA
100 Hz
-25 ° C to 70 ° C
+/- 8 %
≤ 1 %
≤ 3%
Pulso_has1
300 ms
2,67 V / mm
yes
IP67
DIN EN 60947-5-7:2004-06
Brass, nickel plated
PCB
< 10 mA

DC 13



KJ4-M18MB100-ANU-V2

Pulsotronic GmbH & Co. KG Neue Schichtstraße 14b 09366 Niederdorf Deutschland +49 (0)37296 930-200

Contact material
Contact surface material
Contact holder
Nominal operating voltage
Termination
internal Load

CuSn
NiAu
PA 6
24 V DC
Connector M12 4pin