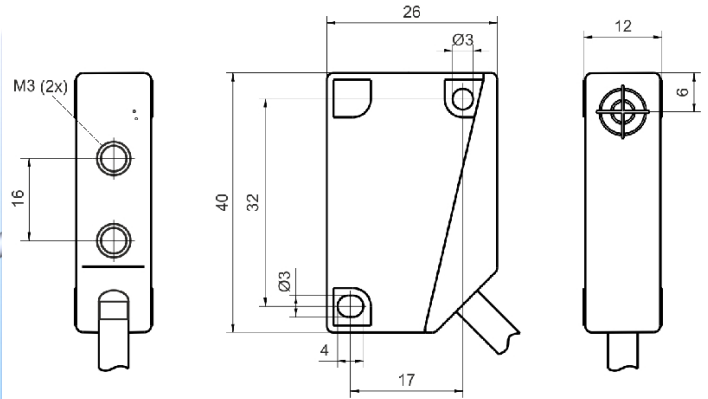
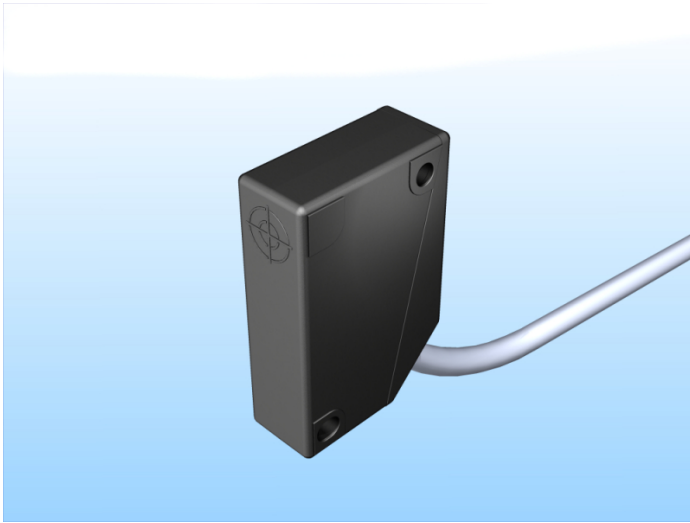


[Article Page](#)

Product Description

inductive sensor DC



Name
Order number
Matchcode
Switching distance
Mounting

KJ4-Q12KN-DNS
08317613300
9861-3300
4 mm

non shielded

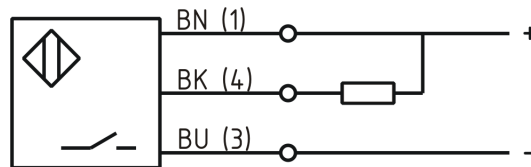
Switch type

N.O.
DC NPN

Signal Type
Connection

Cable

Connection diagramm



Q 12 x 40 x 26

Dimension (in mm)
Technical Specification
Operating voltage
Max. ripple
Voltage drop
Max. load current
No load current
Leakage current
Switching frequency
Switching hysteresis
Operating temperature
Temperature drift
Repeat accuracy
Switching state
Short-circuit proof
Overload protection
Reverse voltage protection
Protection category
EMC-level
Housing material
Cable length

10 - 30 VDC
≤ 10 %
2,4 V
200 mA
≤ 13 mA
≤ 10 μA
800
≤ 15 %
-25 ° C to 70 ° C
≤ 10 %
≤ 2 %
LED
yes
yes
yes
IP67
DIN EN 60947-5-2: 2008
PBT
2 m



KJ4-Q12KN-DNS

Pulsotronic GmbH & Co. KG Neue Schichtstraße 14b 09366 Niederdorf Deutschland +49 (0)37296 930-200

Utilisation category
Cable material
Cable cross

DC 13
PVC LIYY grau
3x0.34 mm²

Errors and omissions exceptet