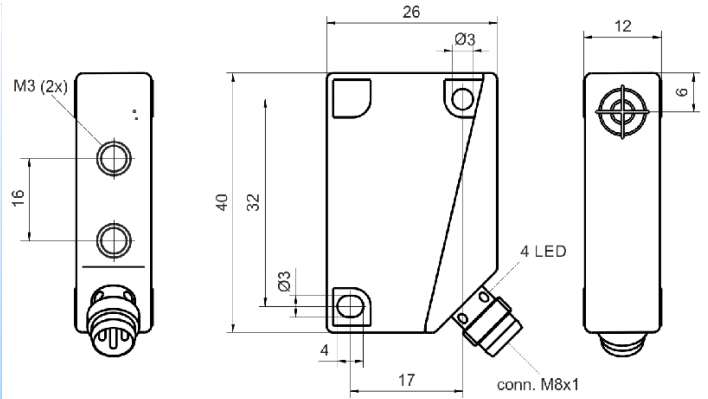
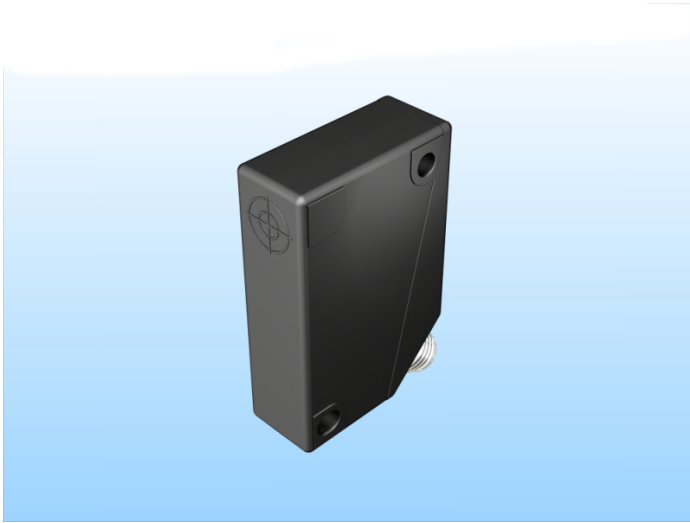




[Article Page](#)

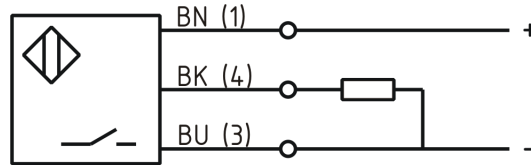
Product Description

inductive sensor DC



Name  
Order number  
Matchcode  
Switching distance  
Mounting  
  
Switch type  
  
Signal Type  
Connection  
Connection diagramm

KJ4-Q12KN-DPS-V1  
08317613264  
9861-3264  
4 mm  
  
 non shielded  
  
 N.O.  
DC PNP  
connector M8



Q 12 x 40 x 26

Dimension (in mm)  
Technical Specification  
Operating voltage  
Max. ripple  
Voltage drop  
Max. load current  
No load current  
Leakage current  
Switching frequency  
Switching hysteresis  
Operating temperature  
Temperature drift  
Repeat accuracy  
Switching state  
Short-circuit proof  
Overload protection  
Reverse voltage protection  
Protection category  
EMC-level  
Housing material  
Utilisation category  
Termination

10 - 30 VDC  
 $\leq 10 \%$   
 2,4 V  
 200 mA  
 $\leq 13 \text{ mA}$   
 $\leq 10 \mu\text{A}$   
 800  
 $\leq 15 \%$   
 -25 ° C to 70 ° C  
 $\leq 10 \%$   
 $\leq 2 \%$   
 LED  
 yes  
 yes  
 yes  
 IP67  
 DIN EN 60947-5-2: 2008  
 PBT  
 DC 13  
 Connector M8 3pin

**Errors and omissions exceptet**