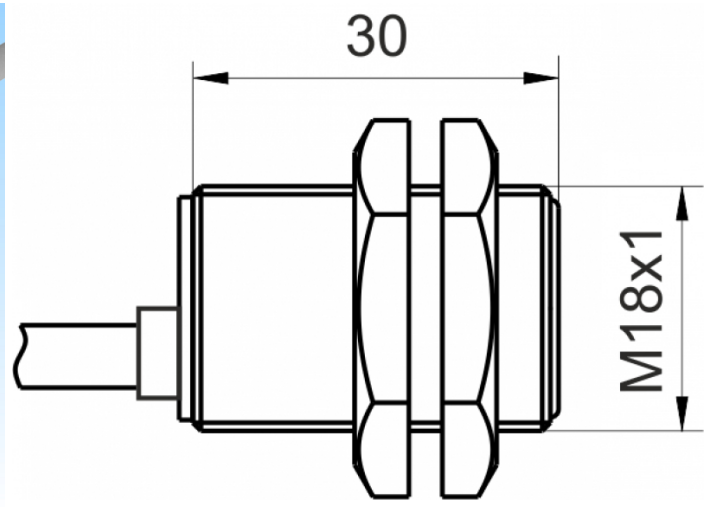
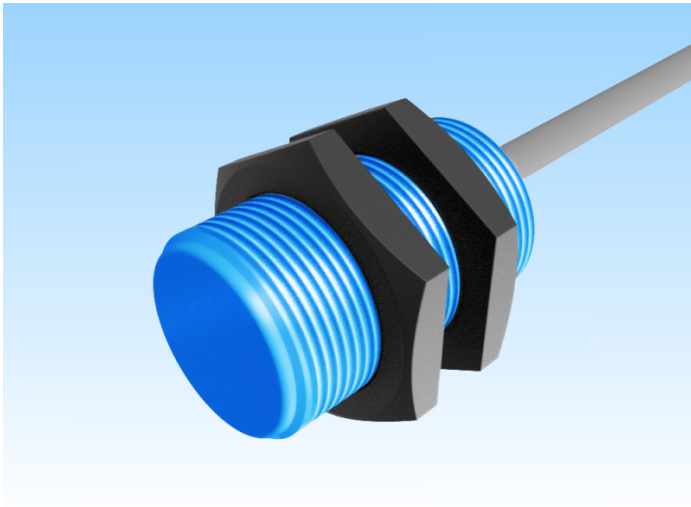


[Article Page](#)


Product Description

inductive sensor NAMUR




Name  
Order number  
Matchcode  
Switching distance  
Mounting

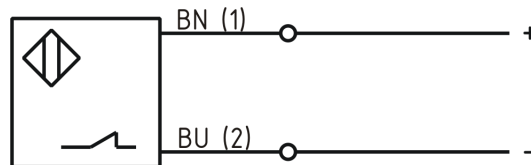
KJ5-M18KB30-NA  
08317321300  
9932-1300  
5 mm

 shielded  
Namur

Signal Type  
Connection

 Cable

Connection diagramm



fine-pitch thread M18 x 30

Dimension (in mm)  
Technical Specification  
Operating voltage  
Max. ripple  
No load current  
Switching frequency  
Operating temperature  
Temperature drift  
Repeat accuracy  
Time delay  
Short-circuit proof  
Overload protection  
Reverse voltage protection  
Protection category  
EMC-level  
Housing material  
Cable length  
Utilisation category  
Cable material  
Nominal operating voltage  
Cable cross  
Load Current OFF  
Load Current ON

6 - 12 V DC  
≤ 5 %  
≤ 3,5 mA  
1000 Hz  
-25 ° C to 60 ° C  
≤ 10 %  
≤ 10 %  
100 ms  
yes  
yes  
yes  
IP67  
DIN EN 60947-5-6:2000-12  
Trogamid  
2 m  
DC 13  
PVC LIYY blau (blue)  
8,2 V DC  
2x0.25 mm<sup>2</sup>  
ca. 0,5 mA  
ca. 3,5 mA



## KJ5-M18KB30-NA

Pulsotronic GmbH & Co. KG Neue Schichtstraße 14b 09366 Niederdorf Deutschland +49 (0)37296 930-200

FIT / MTTF acc. to SIEMENS 29500

16,88 / 6763y

**Errors and omissions exceptet**