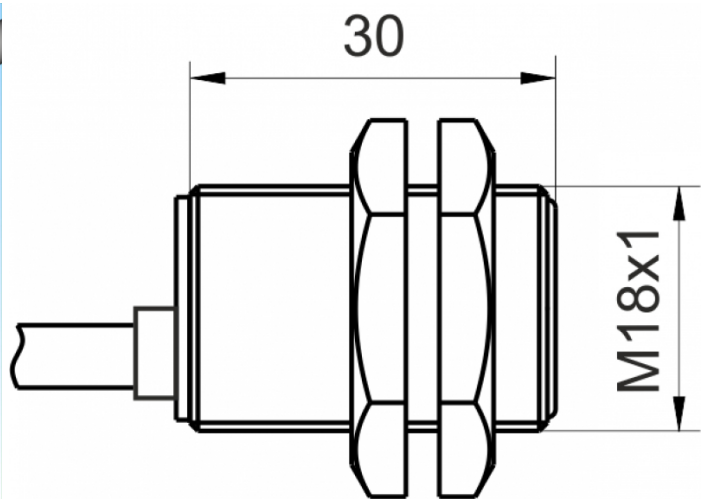
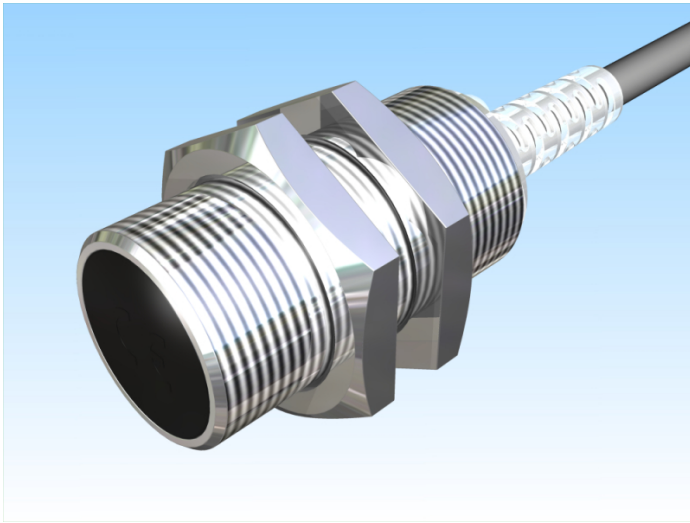


[Article Page](#)

Product Description


inductive sensor NAMUR




Name
Order number
Matchcode
Switching distance
Mounting

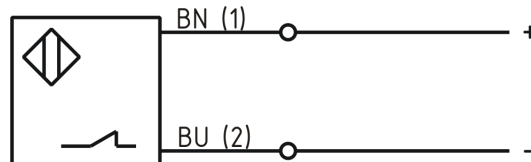
KJ5-M18MB30-NA-X0509
08317320502
9932-0502
5 mm

Switch type
Signal Type
Connection

 shielded
see datasheet
Namur

Connection diagramm

 Cable



fine-pitch thread M18 x 30

Dimension (in mm)
Technical Specification
Special features
Operating voltage
Max. ripple
No load current
Switching frequency
Operating temperature
Temperature drift
Repeat accuracy
Time delay
Short-circuit proof
Overload protection
Reverse voltage protection
Protection category
EMC-level
Housing material
Material active face
Cable length
Utilisation category
Cable material
Nominal operating voltage

5m connecting cable
6 - 12 V DC
≤ 5 %
≤ 3,5 mA
1000 Hz
-25 ° C to 60 ° C
≤ 10 %
≤ 10 %
100 ms
yes
yes
yes
IP67
DIN EN 60947-5-6:2000-12
Brass, nickel plated
PCB
5 m
DC 13
PVC LIYY blau (blue)
8,2 V DC



KJ5-M18MB30-NA-X0509

Pulsotronic GmbH & Co. KG Neue Schichtstraße 14b 09366 Niederdorf Deutschland +49 (0)37296 930-200

Cable cross	2x0.25 mm ²
Load Current OFF	ca. 0,5 mA
Load Current ON	ca. 3,5 mA
FIT / MTTF acc. to SIEMENS 29500	16,88 / 6763y

Errors and omissions exceptet