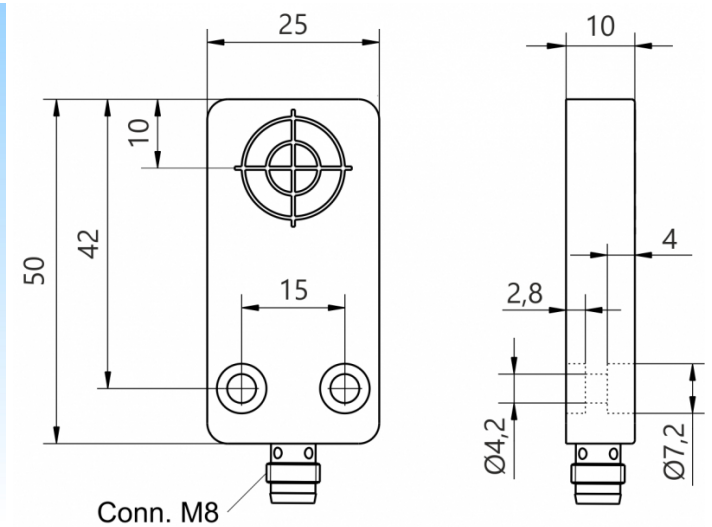
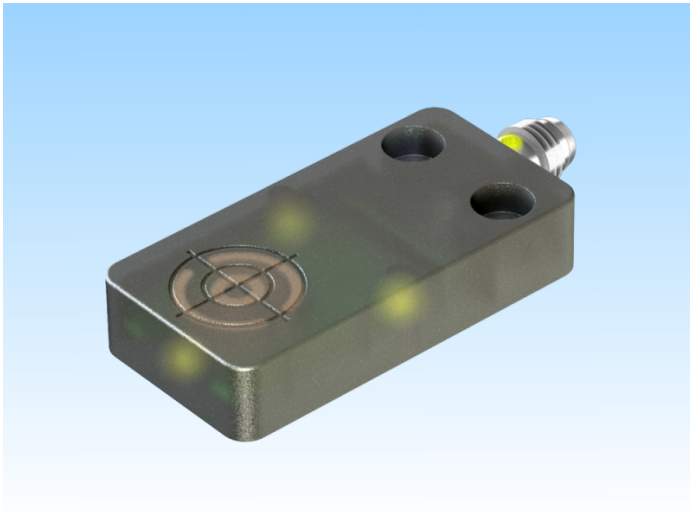


[Article Page](#)


Product Description


inductive sensor DC

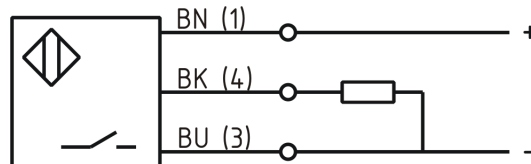


Name  
Order number  
Switching distance  
Mounting  
  
Switch type  
  
Signal Type  
Connection  
Connection diagramm

KJ5-Q25KB-DPS-V1  
08310000203  
5 mm

 shielded

 N.O.  
DC PNP  
connector M8



Q 25 x 10 x 50

Dimension (in mm)  
Technical Specification  
Operating voltage  
Max. ripple  
Voltage drop  
Max. load current  
No load current  
Leakage current  
Switching frequency  
Switching hysteresis  
Operating temperature  
Temperature drift  
Repeat accuracy  
Switching state  
Short-circuit proof  
Overload protection  
Reverse voltage protection  
Protection category  
EMC-level  
Housing material  
Utilisation category  
Termination  
FIT / MTTF

10 - 30 VDC  
≤ 10 %  
2,4 V  
200 mA  
≤ 13 mA  
≤ 10 µA  
1000  
≤ 15 %  
-25 ° C to 70 ° C  
≤ 10 %  
≤ 5 %  
LED  
yes  
yes  
yes  
IP 67  
DIN EN 60947-5-2: 2008  
PA 6.6  
DC 13  
Connector M8 3pin  
99,29 / 1150y

**Errors and omissions exceptet**