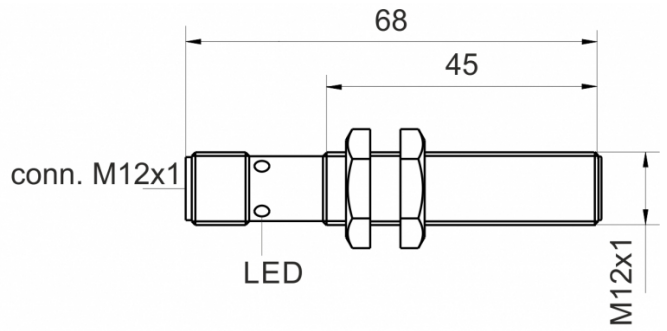
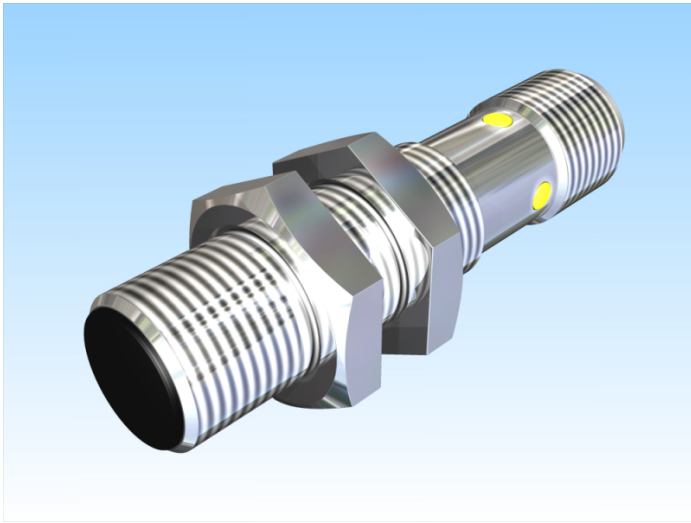


[Article Page](#)

Product Description

inductive sensor DC




Name
Order number
Switching distance
Mounting

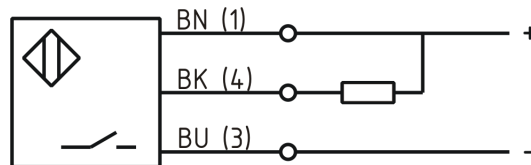
Switch type

Signal Type
Connection
Connection diagramm

KJ6-M12MB68-DNS-V2
08317825165
6 mm

 shielded

 N.O.
NPN
connector M12



fine-pitch thread M12 x 68

Dimension (in mm)
Technical Specification
Special features
Operating voltage
Max. ripple
Voltage drop
No load current
Leakage current
Switching frequency
Switching hysteresis
Operating temperature
Temperature drift
Repeat accuracy
Switching state
Time delay
Short-circuit proof
Overload protection
Reverse voltage protection
Protection category
EMC-level
Housing material
Utilisation category
Contact material

quasi-shielded mounting
10 - 30 V DC
≤ 10 %
1 V
≤ 10 mA
≤ 10 µA
1000 Hz
≤ 15 %
-25 ° C to 70 ° C
≤ 10 %
≤ 5 %
LED
300 ms
yes
yes
yes
IP67
acc. DIN EN 60947-2-5: 2008
Brass, nickel plated
DC 13
CuSn



KJ6-M12MB68-DNS-V2

Pulsotronic GmbH & Co. KG Neue Schichtstraße 14b 09366 Niederdorf Deutschland +49 (0)37296 930-200

Contact surface material
Nominal operating voltage
Termination

NiAu
24 V DC
Connector M12 4pin

Errors and omissions excepted