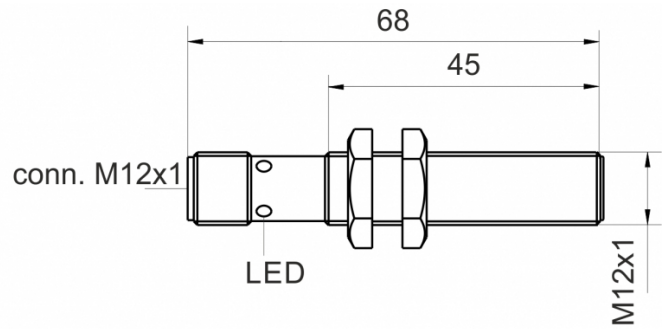
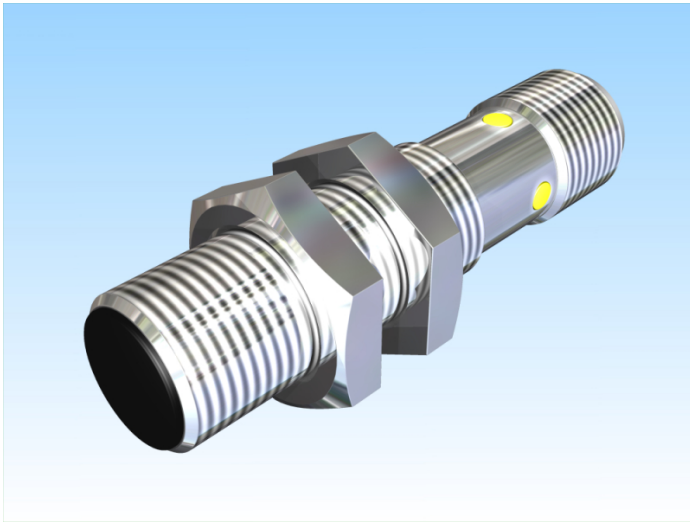


[Article Page](#)

Product Description


inductive sensor DC

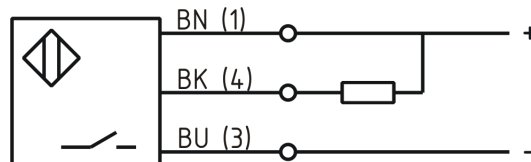


Name  
Order number  
Switching distance  
Mounting  
  
Switch type  
  
Signal Type  
Connection  
Connection diagramm

KJ6-M12MB68-DNS-V2  
08317825165  
6 mm

 shielded

 N.O.  
NPN  
connector M12



fine-pitch thread M12 x 68

Dimension (in mm)  
Technical Specification  
Special features  
Operating voltage  
Max. ripple  
Voltage drop  
No load current  
Leakage current  
Switching frequency  
Switching hysteresis  
Operating temperature  
Temperature drift  
Repeat accuracy  
Switching state  
Time delay  
Short-circuit proof  
Overload protection  
Reverse voltage protection  
Protection category  
EMC-level  
Housing material  
Utilisation category  
Contact material

quasi-shielded mounting  
10 - 30 V DC  
≤ 10 %  
1 V  
≤ 10 mA  
≤ 10 µA  
1000 Hz  
≤ 15 %  
-25 ° C to 70 ° C  
≤ 10 %  
≤ 5 %  
LED  
300 ms  
yes  
yes  
yes  
IP67  
acc. DIN EN 60947-2-5: 2008  
Brass, nickel plated  
DC 13  
CuSn



## KJ6-M12MB68-DNS-V2

Pulsotronic GmbH & Co. KG Neue Schichtstraße 14b 09366 Niederdorf Deutschland +49 (0)37296 930-200

Contact surface material  
Nominal operating voltage  
Termination

NiAu  
24 V DC  
Connector M12 4pin

**Errors and omissions excepted**