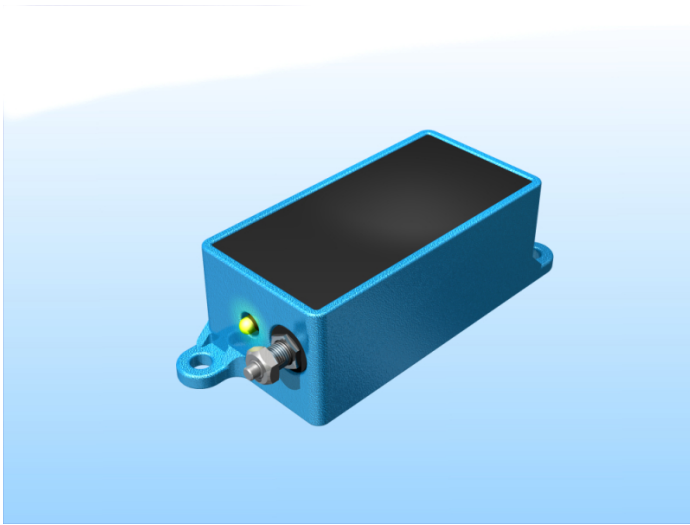
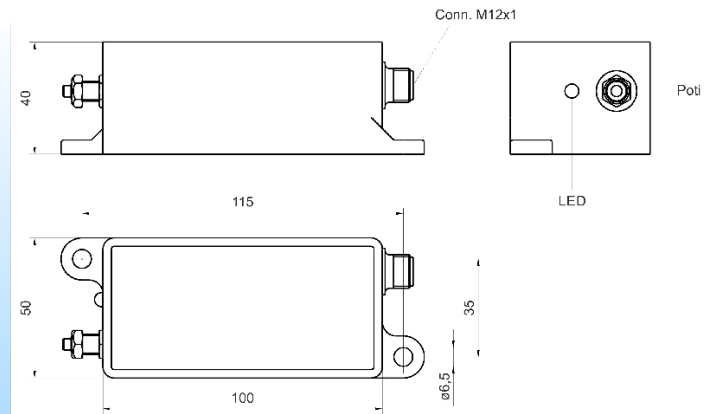


[Article Page](#)

Product Description



inductive sensor DC



Name
Order number
Matchcode
Switching distance
Mounting

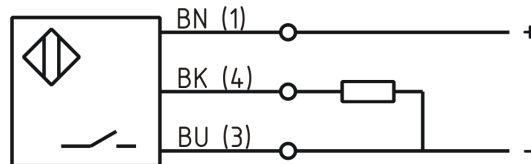
Switch type

Signal Type
Connection
Connection diagramm

KJ70-Q100AN-DPS-V2-F1
08317090165
9809-0165
70 mm

non shielded

N.O.
DC PNP
connector M12



Q 100 x 50 x 40

Dimension (in mm)
Technical Specification
Operating voltage
Max. ripple
Voltage drop
Max. load current
No load current
Leakage current
Switching frequency
Switching hysteresis
Operating temperature
Temperature drift
Repeat accuracy
Switching state
Short-circuit proof
Overload protection
Reverse voltage protection
Protection category
EMC-level
Housing material
Utilisation category
Termination

10 - 30 V DC
≤ 10 %
2,4 V
400 mA
≤ 12 mA
≤ 0,01 mA
300
≤ 15 %
-25 ° C to 70 ° C
≤ 10 %
≤ 10 %
LED
yes
yes
yes
IP67
DIN EN 60947-5-2: 2008
Aluminum
DC 13
Connector M12 4pin



KJ70-Q100AN-DPS-V2-F1

Pulsotronic GmbH & Co. KG Neue Schichtstraße 14b 09366 Niederdorf Deutschland +49 (0)37296 930-200

Notes

Schaltabstand über Poti einstellbar

Errors and omissions excepted