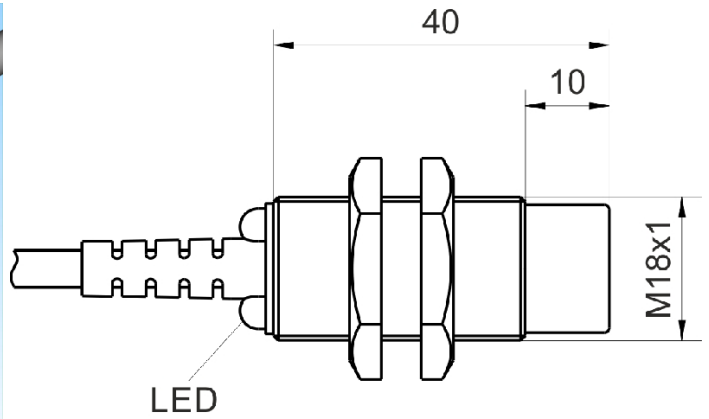
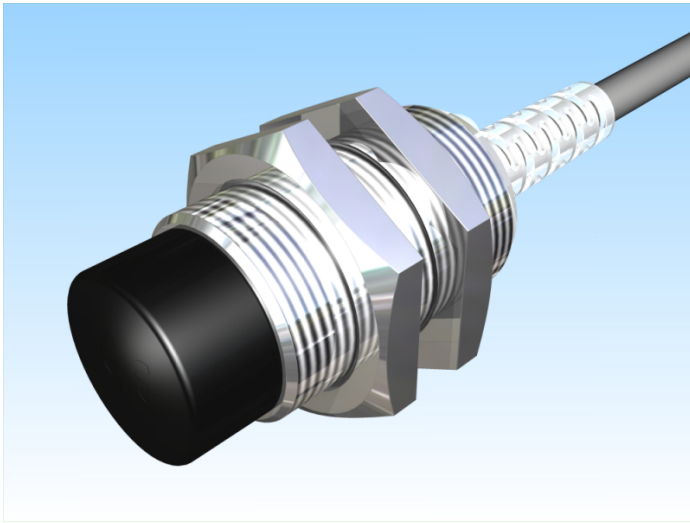


[Article Page](#)

Product Description

inductive sensor temperature immune



Name
Order number
Matchcode
Switching distance
Mounting

KJ8-M18MN40-DPS-T
08317646110
9964-6110
8 mm

non shielded

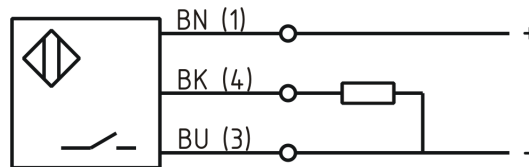
Switch type

N.O.
DC PNP

Signal Type
Connection

Cable

Connection diagramm



fine-pitch thread M18 x 40

Dimension (in mm)
Technical Specification
Special features
Operating voltage
Max. ripple
Voltage drop
Max. load current
No load current
Leakage current
Switching frequency
Switching hysteresis
Operating temperature
Temperature drift
Repeat accuracy
Switching state
Time delay
Short-circuit proof
Overload protection
Reverse voltage protection
Protection category
EMC-level

temperature resistant up to 100°C
10 - 30 V DC
≤ 10 %
2,4 V
200 mA
≤ 10 mA
≤ 10 µA
500 Hz
≤ 15 %
-40 ° C to 100 ° C
≤ 10 %
≤ 10 %
LED
300 ms
yes
yes
yes
IP67
DIN EN 60947-5-2:2008



KJ8-M18MN40-DPS-T

Pulsotronic GmbH & Co. KG Neue Schichtstraße 14b 09366 Niederdorf Deutschland +49 (0)37296 930-200

Housing material	Brass, nickel plated
Material active face	PCB
Cable length	2 m
Utilisation category	DC 13
Cable material	PUR LIFY11Y schwarz
Nominal operating voltage	24 V DC
Cable cross	3x0.34 mm ²
FIT / MTTF acc. to SIEMENS 29500	49,88 / 2289y

Errors and omissions excepted