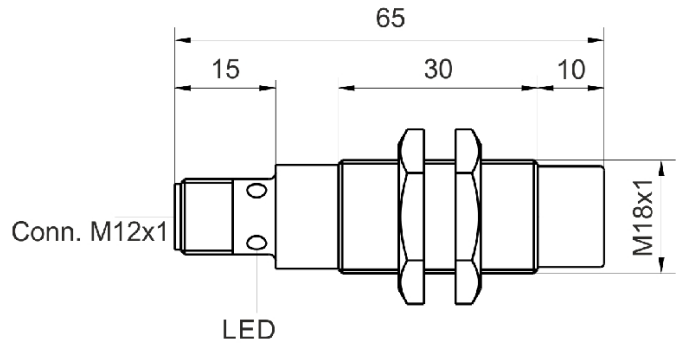
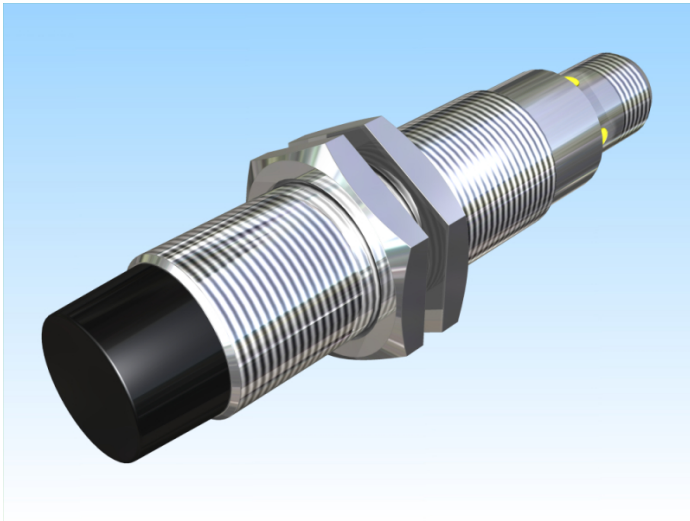


[Article Page](#)

Product Description

inductive sensor temperature immune




Name
Order number
Matchcode
Switching distance
Mounting

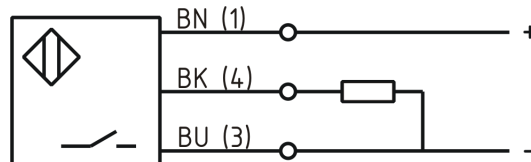
Switch type

Signal Type
Connection
Connection diagramm

KJ8-M18MN65-DPS-V2-T
08317646165
9964-6165
8 mm

 non shielded

 N.O.
DC PNP
connector M12



fine-pitch thread M18 x 60

Dimension (in mm)
Technical Specification
Special features
Operating voltage
Max. ripple
Voltage drop
Max. load current
No load current
Leakage current
Switching frequency
Switching hysteresis
Operating temperature
Temperature drift
Repeat accuracy
Switching state
Time delay
Short-circuit proof
Overload protection
Reverse voltage protection
Protection category
EMC-level
Housing material

temperature resistant up to 100°C
10 - 30 V DC
≤ 10 %
2,4 V
200 mA
≤ 10 mA
< 10 µA
500 Hz
≤ 15 %
-40 ° C to 100 ° C
≤ 10 %
≤ 10 %
LED
300 ms
yes
yes
yes
IP67
DIN EN 60947-5-2:2008
Brass, nickel plated



KJ8-M18MN65-DPS-V2-T

Pulsotronic GmbH & Co. KG Neue Schichtstraße 14b 09366 Niederdorf Deutschland +49 (0)37296 930-200

Material active face	PCB
Utilisation category	DC 13
Contact material	CuSn
Contact surface material	NiAu
Contact holder	Makrolon 2405 clear
Nominal operating voltage	24 V DC
Termination	Connector M12 4pin
FIT / MTTF acc. to SIEMENS 29500	55,61 / 2210y

Errors and omissions exceptet