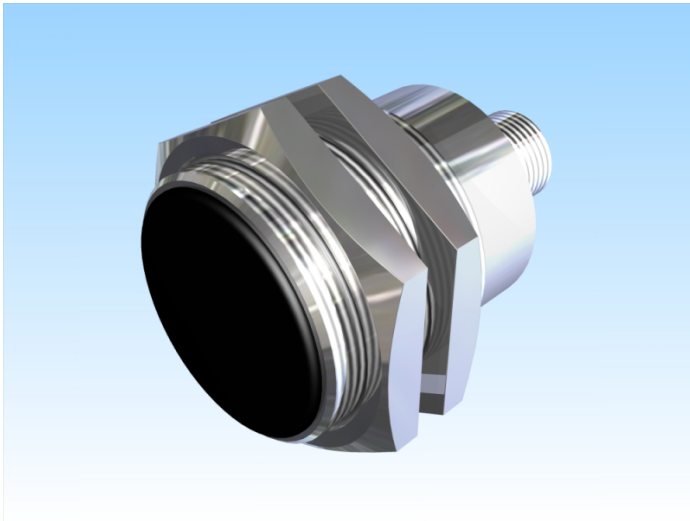


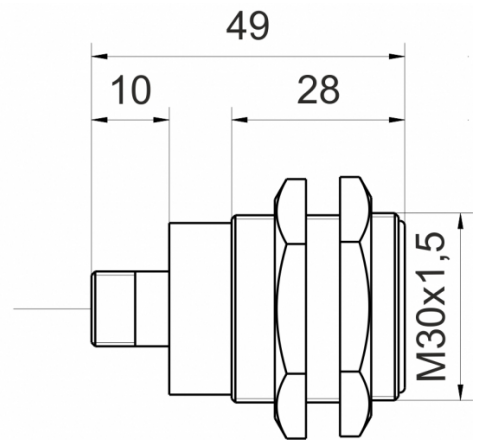
[Article Page](#)

Product Description

inductive sensor analogue



Stecker
M12x1





Name
Order number
Matchcode
Switching distance
Mounting

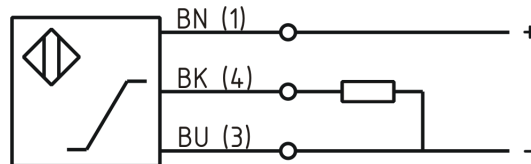
Switch type

Signal Type
Connection
Connection diagramm

KJ9-M30MB50-ANI-V2
08317141665
9914-1665
from 1 mm to 9 mm

 shielded

 analog
analog current
connector M12



fine-pitch thread M30 x 50

Dimension (in mm)
Technical Specification
Special features
Operating voltage
Max. ripple
No load current
Switching frequency
Operating temperature
Temperature drift
Repeat accuracy
Linearity
Time delay
Resolution
Protection category
EMC-level
Housing material
Material active face
Rated operating current at 40° C
Rated operating voltage
Utilisation category
Contact material
Contact surface material

Ausgangsstrom 4 ... 20 mA
11 - 35 VDC
≤ 5 %
≤ 10 mA
300 Hz
-25 ° C to 70 ° C
+/-5 %
≤ 1 %
≤ 5 %
300 ms
2 mA / mm
IP67
DIN EN 60947-5-7:2004-06
Brass, nickel plated
PCB
10 mA

DC 13
CuSn
NiAu



KJ9-M30MB50-ANI-V2

Pulsotronic GmbH & Co. KG Neue Schichtstraße 14b 09366 Niederdorf Deutschland +49 (0)37296 930-200

Contact holder
Nominal operating voltage
Termination
internal load resistor

PA 6
24 V DC
Connector M12 4pin