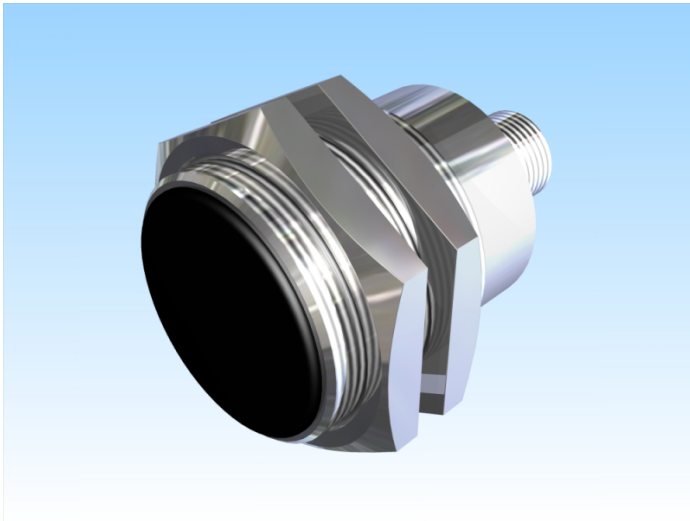


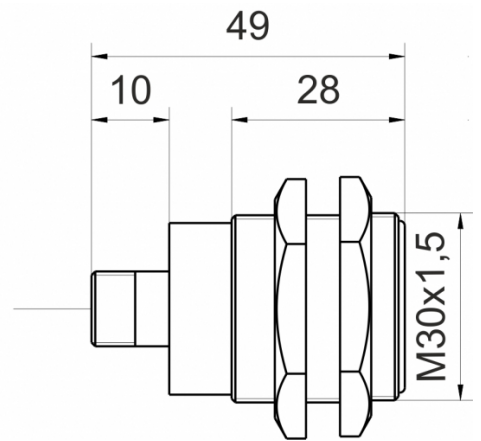
[Article Page](#)

Product Description

inductive sensor analogue




Stecker  
M12x1

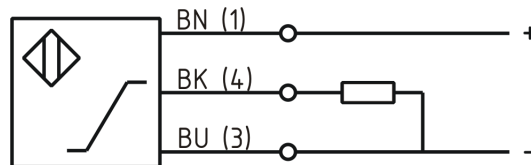


Name  
Order number  
Switching distance  
Mounting  
  
Switch type  
  
Signal Type  
Connection  
Connection diagramm

KJ9-M30MB50-ANU-V2  
08317143665  
from 1 mm to 9 mm

 shielded

 analog  
Analog Voltage  
connector M12



fine-pitch thread M30 x 50

Dimension (in mm)  
Technical Specification  
Special features  
Operating voltage  
Max. ripple  
No load current  
Switching frequency  
Operating temperature  
Temperature drift  
Repeat accuracy  
Linearity  
Time delay  
Resolution  
Reverse voltage protection  
Protection category  
EMC-level  
Housing material  
Material active face  
Utilisation category  
Contact material  
Contact surface material  
Contact holder  
Nominal operating voltage

Output Voltage 1 ... 9 Volt  
11 - 35 VDC  
≤ 5 %  
≤ 5 mA  
400 Hz  
-25 ° C to 70 ° C  
+/-5 %  
≤ 1 %  
≤ 5 %  
300 ms  
1 V / mm  
yes  
IP67  
DIN EN 60947-5-7:2004-06  
Brass, nickel plated  
PCB  
DC 13  
CuSn  
NiAu  
PA 6  
24 V DC



## KJ9-M30MB50-ANU-V2

Pulsotronic GmbH & Co. KG Neue Schichtstraße 14b 09366 Niederdorf Deutschland +49 (0)37296 930-200

Termination  
internal load resistor  
FIT / MTTF acc. to SIEMENS 29500

Connector M12 4pin  
> 1 kOhm  
95,69 / 1193y

**Errors and omissions excepted**