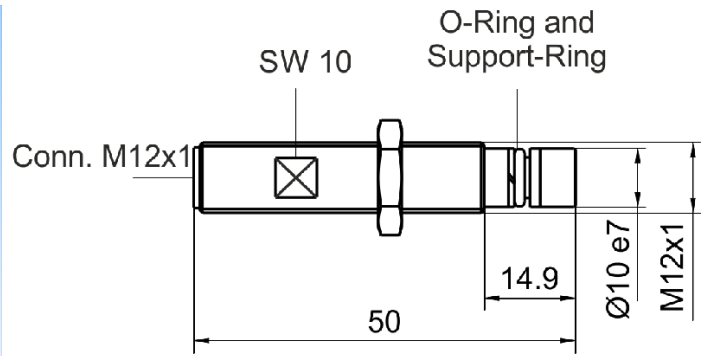


[Article Page](#)

Product Description

inductive sensor pressure resistant



Name
Order number
Switching distance
Mounting

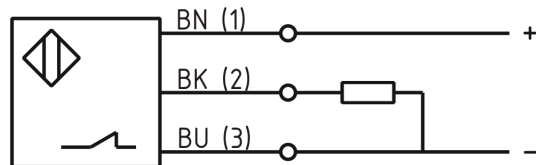
Switch type

Signal Type
Connection
Connection diagramm

KJD2-M12EB50-DPÖ-V2/500/14,9
08310002401
2 mm



N.C.
DC PNP
connector M12



fine-pitch thread M12 x 50

Dimension (in mm)
Technical Specification
Special features

pressure: 500 bar
length pressure resistant area: 14,9 mm

Operating voltage
Max. ripple
Voltage drop
Max. load current
No load current
Leakage current
Switching frequency
Switching hysteresis
Operating temperature
Temperature drift
Repeat accuracy
Short-circuit proof
Overload protection
Reverse voltage protection
Protection category
EMC-level
Housing material
Material active face
Utilisation category

10 - 30 V DC
≤ 10 %
2,4 V
200 mA
≤ 10 mA
≤ 10 µA
400
≤ 15 %
-25 ° C to 90 ° C
≤ 10 %
≤ 5 %
yes
yes
yes
IP69K
DIN EN 60947-5-2: 2008
Stainless steel V2A
siehe Gehäuse
DC 13



KJD2-M12EB50-DPÖ-V2/500/14,9

Pulsotronic GmbH & Co. KG Neue Schichtstraße 14b 09366 Niederdorf Deutschland +49 (0)37296 930-200

Errors and omissions exceptet