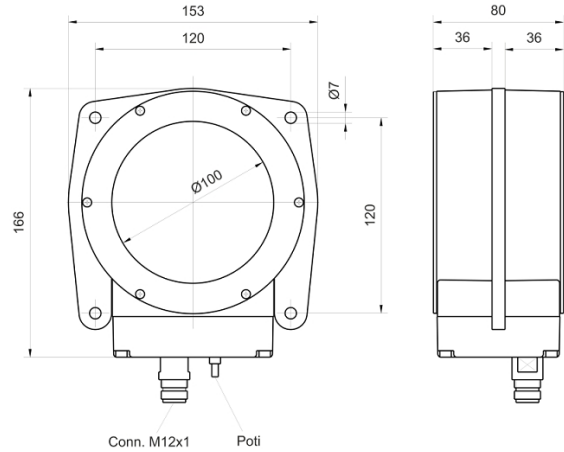
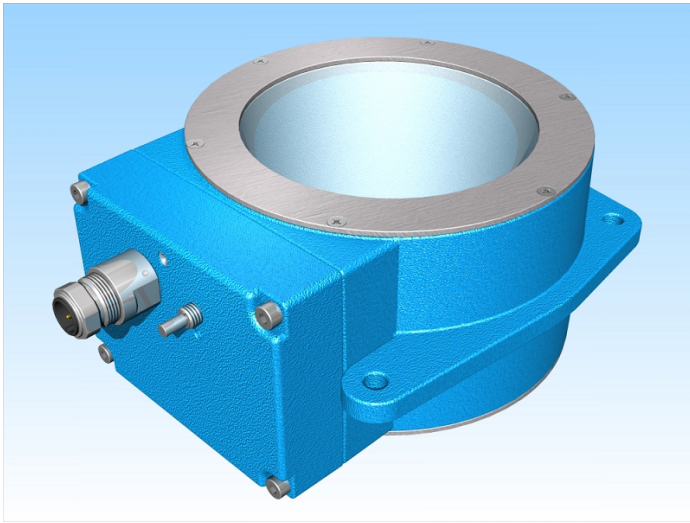


[Article Page](#)

Product Description

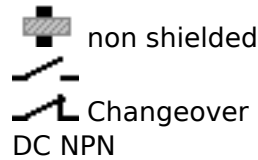
inductive ring sensor



Name
Order number
Mounting

KJR-D100AN-DNA-V2
08317080165

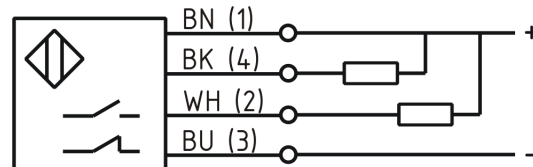
Switch type



Signal Type
Connection



Connection diagramm



Dimension (in mm)
Technical Specification

R 166 x 80 x 166

Operating voltage
Max. ripple
Voltage drop
Max. load current
No load current
Leakage current
Switching frequency
Switching hysteresis
Operating temperature
Switching state
Real sensitivity
Short-circuit proof
Overload protection
Reverse voltage protection
Protection category
EMC-level
Housing material
Termination

10 - 30 VDC
≤ 10 %
2,4 V
200 mA
< 15 mA
≤ 10 µA
500
≤ 15 %
-25 ° C to 70 ° C
LED
6,0 mm Kugel Fe
yes
yes
yes
IP54
DIN EN 60947-5-2:2008
Aluminum
Connector M12 4pol

Errors and omissions exceptet