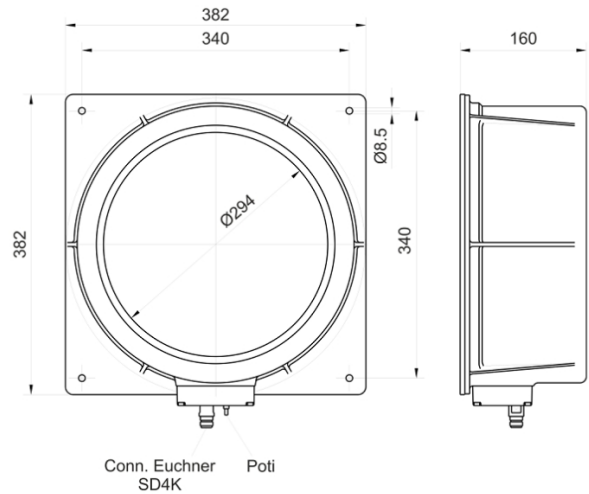
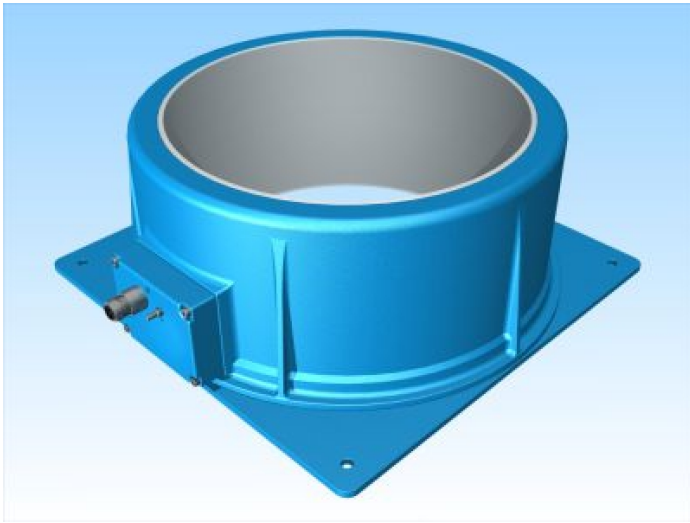


[Article Page](#)

Product Description

inductive ring sensor



Name
Order number
Mounting

KJR-D300AN-DNIA-VE
08317040159

Switch type

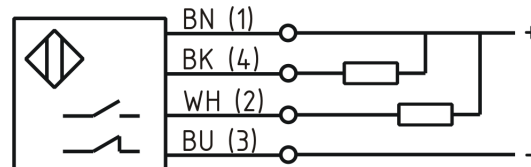
shielded

Signal Type
Connection

Changeover
DC NPN

Connection diagramm

Connector



Dimension (in mm)
Technical Specification

R 382 x 160 x 397

Operating voltage
Max. ripple
Voltage drop
Max. load current
No load current
Leakage current
Switching frequency
Switching hysteresis
Operating temperature
Switching state
Real sensitivity
Short-circuit proof
Overload protection
Reverse voltage protection
Protection category
EMC-level
Housing material
Termination

11 - 30 VDC
≤ 10 %
2,4 V
50 mA
≤ 25 mA
50 µA
100
≤ 15 %
-25 ° C to 70 ° C
LED
4,0 mm Kugel Fe
yes
yes
yes
IP54
DIN EN 60947-5-2:2008
Aluminum
Euchner connector

Errors and omissions exceptet