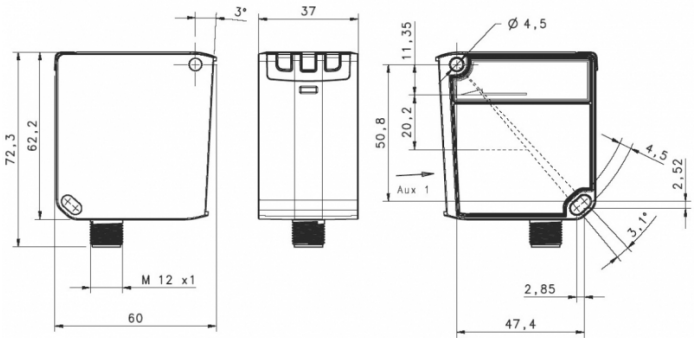


[Article Page](#)

Product Description

distance sensor



Name	KLDS10M-Q63ZB-DMUU-ANU-V2
Order number	08371000050
art_schaltabstand_einstellbar	yes
Switching distance	from 0,2 m to 10 m
Switch type	analog/digital
Signal Type	PNP/NPN; 0 ... 10V
Illuminant	Laser
Connection	connector M12
Dimension (in mm)	Q 37 x 62 x 60
art_gewicht	250 g
Technical Specification	
Operating voltage	19,2 - 28,8 V DC
No load current	≤ 160 mA
Switching frequency	30 Hz
Switching hysteresis	10 mm
Operating temperature	-15 ° C to 50 ° C
Repeat accuracy	1 mm (1 Sigma, 90% White target)
Operating state	LED
Switching state	LED
Analog output	Pulso_has1(0 ... 10V)
Digital output	2 x PNP/ NPN Push Pull
Natural extraneous light	>40000 Lux regarding to EN 60947-5-2
Time delay	30 ms
Laser class	2 gemäß IEC 60825-1 (2007)
Resolution	1 mm
Short-circuit proof	yes
Overload protection	yes
Reverse voltage protection	yes
Protection category	IP67
Housing material	Die-cast zinc
Termination	Connector M12, 5pole

**Errors and omissions exceptet**