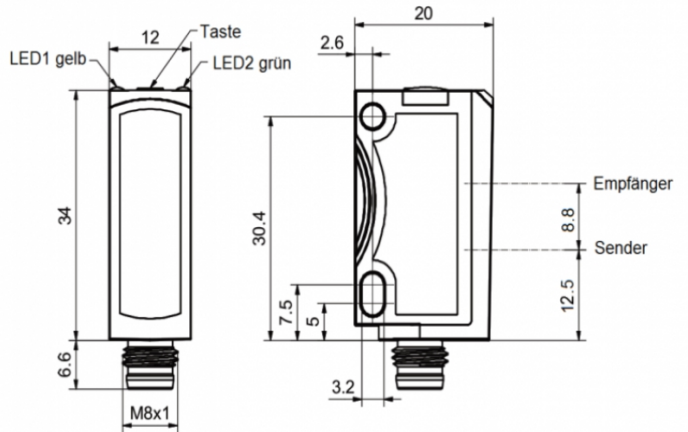


[Article Page](#)

Product Description

laser reflex probe with background suppression



Name  
Order number  
Switch type

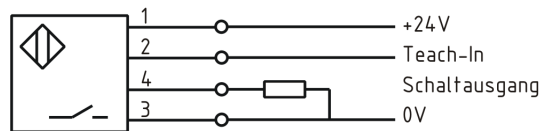
KLRH120-Q34KB-DPU-V1-RT  
08371111360

Switchable  
DC PNP  
 Laser

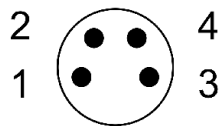
Signal Type  
Illuminant  
Connection

Connector

Connection diagramm



Polschema



Dimension (in mm)  
Technical Specification  
Operating voltage  
Max. load current  
No load current  
Switching frequency  
Operating temperature  
Operating state  
Switching state  
Time delay  
Material of light outlet  
Laser class  
Measuring range  
Sensitivity adjustable  
Working range  
Short-circuit proof  
Overload protection  
Reverse voltage protection

12 x 20 x 34  
10 - 30 V DC  
100 mA  
< 30 mA  
1 kHz  
-20 ° C to 60 ° C  
LED  
LED  
0,5 ms  
PMMA  
1  
120 mm  
Teach in  
from 4 to 120 mm  
yes  
yes  
yes



## KLRH120-Q34KB-DPU-V1-RT

Pulsotronic GmbH & Co. KG Neue Schichtstraße 14b 09366 Niederdorf Deutschland +49 (0)37296 930-200

Protection category  
EMC-level  
Housing material

IP67 + IP69K  
DIN EN 60947-5-2:2008  
Plastic

**Errors and omissions excepted**