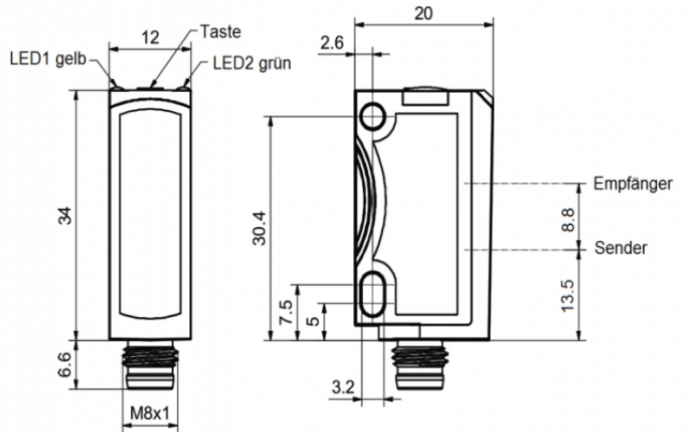


[Article Page](#)

Product Description

polarized reflex light barrier



Name
Order number
Switch type

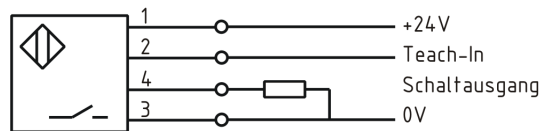
KLRP13M-Q34KB-DPU-V1-RT
08372111140

Switchable
DC PNP
 Laser

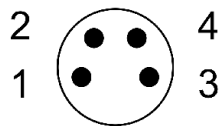
Signal Type
Illuminant
Connection

Connector

Connection diagramm



Polschema



Dimension (in mm)
Technical Specification
Signal type
Operating voltage
Max. load current
No load current
Switching frequency
Operating temperature
Operating state
Switching state
Time delay
Material of light outlet
Laser class
Measuring range
Sensitivity adjustable
Working range
Short-circuit proof
Overload protection

12 x 20 x 34

Polarized retroreflective sensor
10 - 30 V DC
100 mA
< 30 mA
2 kHz
-20 ° C to 60 ° C
LED
LED
0,25 ms
PMMA
1
13 m
Teach in
from 0,1 to 13 m
yes
yes



KLRP13M-Q34KB-DPU-V1-RT

Pulsotronic GmbH & Co. KG Neue Schichtstraße 14b 09366 Niederdorf Deutschland +49 (0)37296 930-200

Reverse voltage protection
Protection category
EMC-level
Housing material

yes
IP67 + IP69K
DIN EN 60947-5-2:2008
Plastic

Errors and omissions exceptet