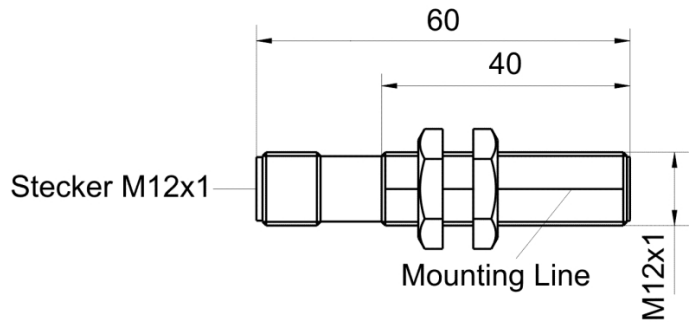
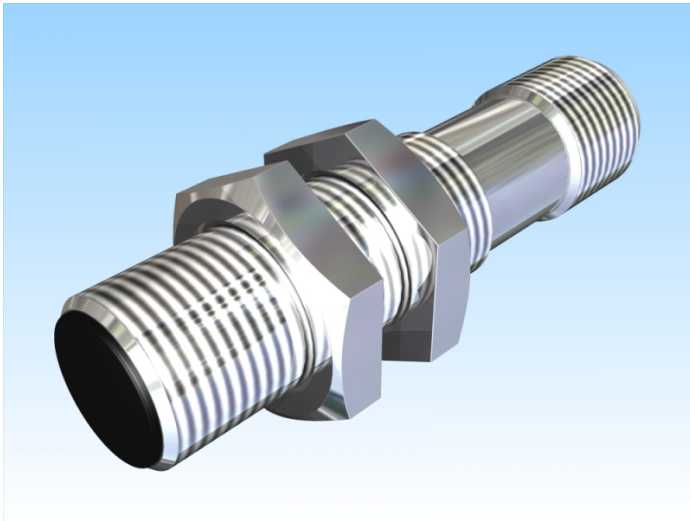


[Article Page](#)

Product Description

magneto-resistive sensor



Name
Order number
Switching distance
Mounting

KM1,5-M12MB-DPI-V2
08330000045
1,5 mm

shielded

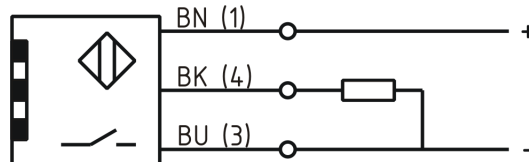
Switch type

Impuls Output
DC PNP

Signal Type
Connection

Connector

Connection diagramm



Technical Specification
Operating voltage
Voltage drop
Max. load current
No load current
Switching frequency
Operating temperature
Temperature drift
Short-circuit proof
Overload protection
Reverse voltage protection
Protection category
EMC-level
Material active face
Termination
Notes

10 - 30 VDC
1,5 V
200 mA
≤ 10 mA
20000
-25 ° C to 70 ° C
≤ 10 %
yes
yes
yes
IP67
DIN EN 60947-5-2:2008
PA 6.6
Connector M12 4pol
Auf Anfrage auch in Edelstahl und bis 120°C
temperaturfest.

Errors and omissions exceptet