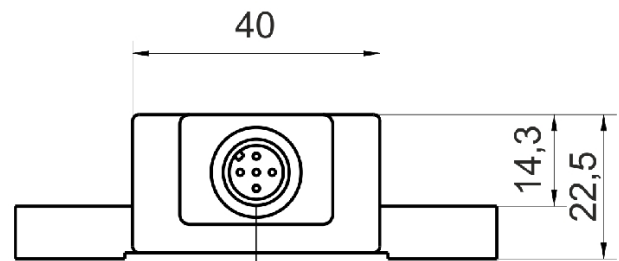
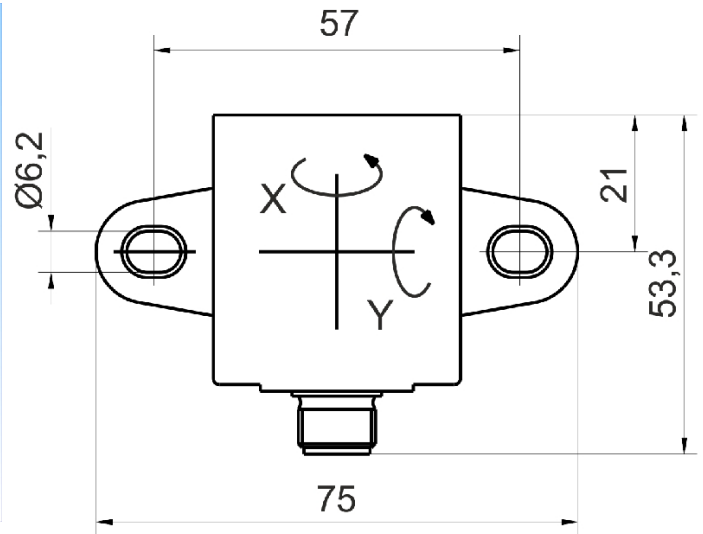
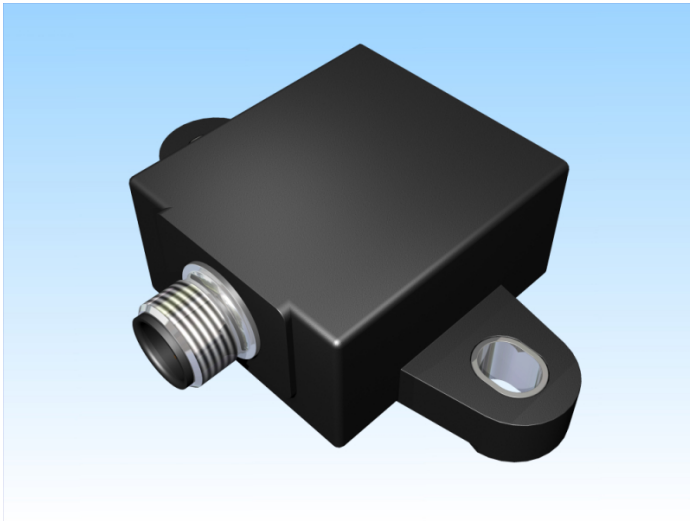


[Article Page](#)

Product Description

inclination sensor





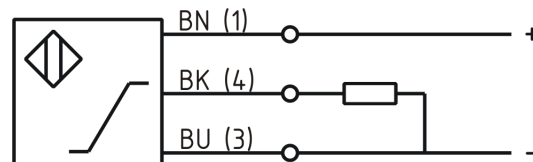
Name
 Order number
 Mounting

 Switch type

 Signal Type
 Connection
 Connection diagramm

KN5-Q40KN-ANU-V2
 08330000066

 non shielded
 analog voltage
 Analog Voltage
 connector M12



Q 40 x 22,5 x 75

Dimension (in mm)
 Technical Specification
 Operating voltage
 Max. ripple
 Max. load current
 No load current
 Treshold frequency
 Operating temperature
 Temperature drift
 Repeat accuracy
 Analog output
 Real sensitivity

12 - 30 V DC
 $\leq 5 \%$
 20 mA
 $\leq 20 \text{ mA}$
 5 Hz
 $-40 \text{ }^\circ\text{C}$ to $85 \text{ }^\circ\text{C}$
 $\pm 0,01 \%$ /K
 $\leq 5 \%$ at $T_a: 25 \text{ }^\circ\text{C}$
 Pulso_has1Output Voltage 0 ... 10 Volts
 typ. 150 mV/V

| | |
|----------------------------|------------------------------|
| Resolution | typ. 0,1 ° |
| Accuracy | typ. 2 %FS |
| Inclination angle | +/- 5° |
| Measuring axis | X |
| Short-circuit proof | yes |
| Overload protection | yes |
| Reverse voltage protection | yes |
| Protection category | IP67 |
| EMC-level | acc. to DIN EN 61326-1: 2013 |
| Housing material | Plastic |
| Utilisation category | DC 13 |
| Termination | Connector M12 4pin |

Errors and omissions exceptet