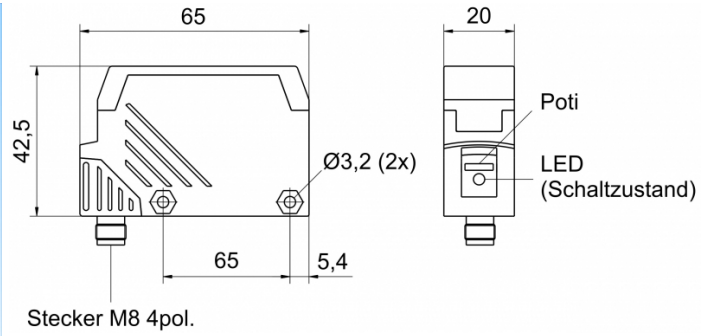
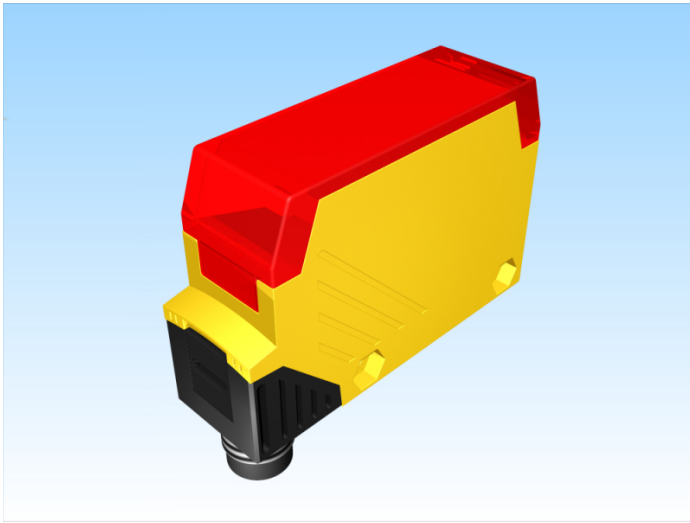


[Article Page](#)

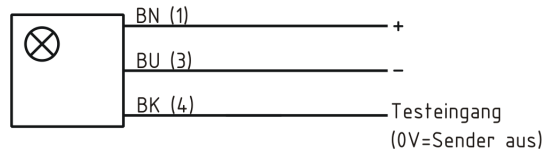
Product Description

one-way light barrier



Name
Order number
Signal Type
Illuminant
Connection
Connection diagramm

KOES22M-Q64KB-D-V1-IR
08363215006
Transmitter
IR Infrared light 880 nm
connector M8



Dimension (in mm)
Technical Specification
Operating voltage
No load current
Operating temperature
Operating state
Measuring range
Reverse voltage protection
Protection category
EMC-level
Housing material
Termination
Notes

Q 20 x 60 x 43
10 - 30 V DC
< 35 mA
-25 ° C to 55 ° C
LED
22 m
yes
IP67
DIN EN 60947-5-2:2008
Plastic
Connector M8 4pol
Sender mit Testeingang

Errors and omissions exceptet