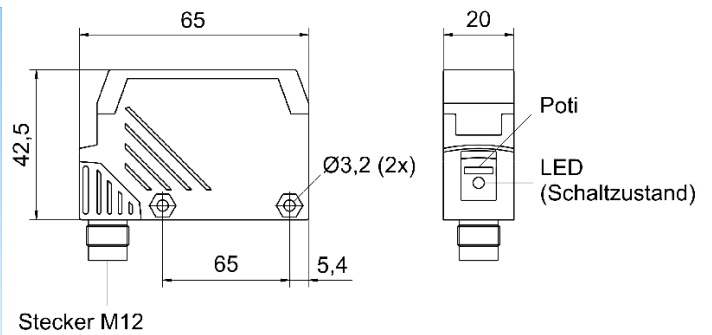
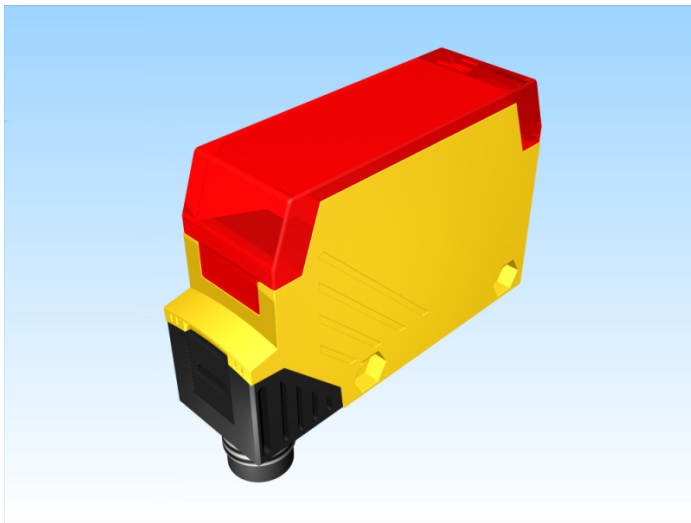


[Article Page](#)

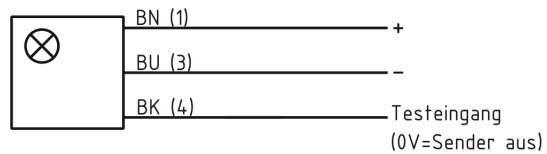
Product Description

one-way light barrier



Name  
Order number  
Signal Type  
Illuminant  
Connection  
Connection diagramm

KOES22M-Q64KB-D-V2-IR  
08363215009  
Transmitter  
IR Infrared light 880 nm  
connector M12



Dimension (in mm)  
Technical Specification  
Operating voltage  
No load current  
Operating temperature  
Operating state  
Measuring range  
Reverse voltage protection  
Protection category  
EMC-level  
Housing material  
Termination  
Notes

Q 20 x 60 x 43  
10 - 30 V DC  
< 35 mA  
-25 ° C to 55 ° C  
LED  
22 m  
yes  
IP67  
DIN EN 60947-5-2:2008  
Plastic  
Connector M12 4pol  
Sender mit Testeingang

**Errors and omissions exceptet**