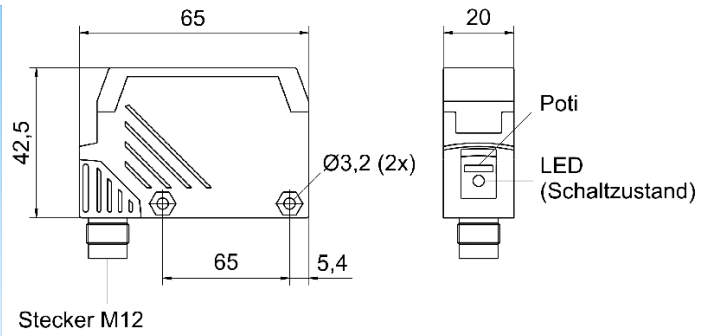
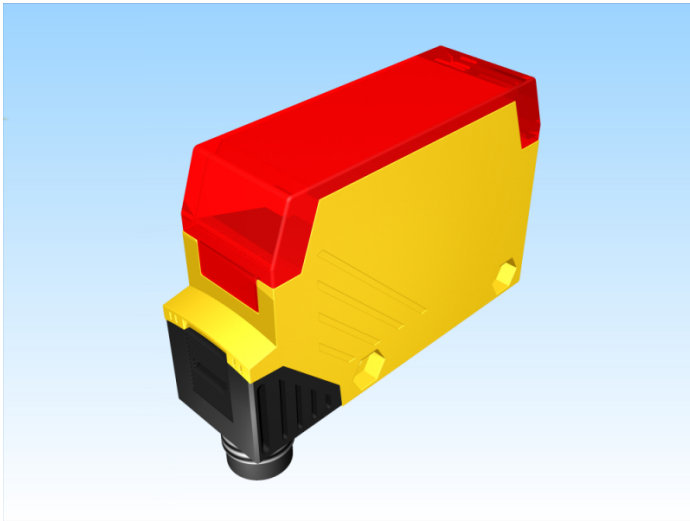


[Article Page](#)

Product Description

one-way light barrier



Name  
Order number  
Switch type

KOES22M-Q64KB-DMU-V2-IR  
08363215012

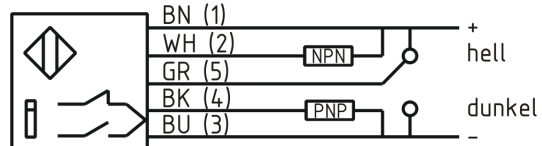


Switchable

PNP/NPN

IR Infrared light 880 nm  
connector M12

Signal Type  
Illuminant  
Connection  
Connection diagramm



Dimension (in mm)  
Technical Specification  
Operating voltage  
Max. load current  
No load current  
Switching frequency  
Operating temperature  
Switching state  
Measuring range  
Sensitivity adjustable  
Short-circuit proof  
Overload protection  
Reverse voltage protection  
Protection category  
EMC-level  
Housing material  
Termination

Q 20 x 60 x 43

10 - 30 V DC  
100 mA  
< 35 mA  
33 Hz  
-25 ° C to 55 ° C

LED  
22 m  
ja  
yes  
yes  
yes  
IP67  
DIN EN 60947-5-2:2008  
Plastic  
Connector M12 5pol

**Errors and omissions exceptet**