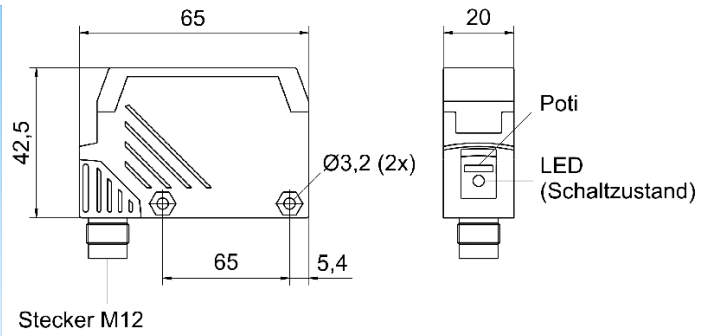
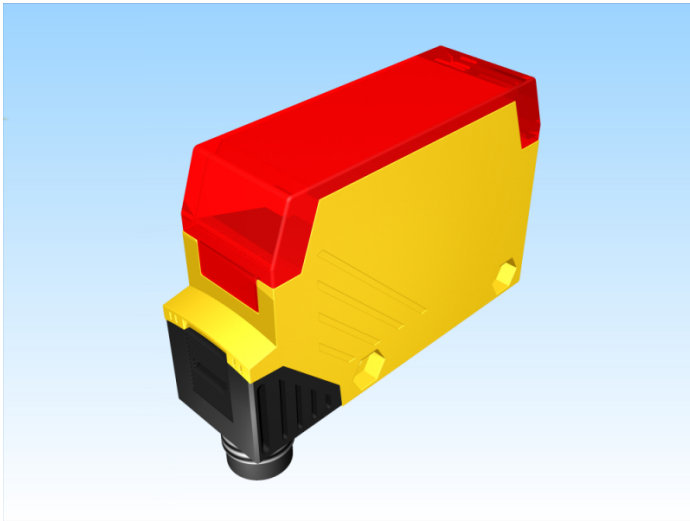


[Article Page](#)

Product Description

one-way light barrier



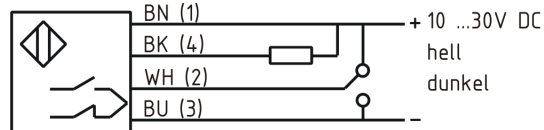
Name
Order number
Switch type

Signal Type
Illuminant
Connection
Connection diagramm

KOES22M-Q64KB-DNU-V2-IR
08363215010



NPN
IR Infrared light 880 nm
connector M12



Q 20 x 60 x 43

Dimension (in mm)
Technical Specification
Operating voltage
Max. load current
No load current
Switching frequency
Operating temperature
Switching state
Measuring range
Sensitivity adjustable
Short-circuit proof
Overload protection
Reverse voltage protection
Protection category
EMC-level
Housing material
Termination

10 - 30 V DC
100 mA
< 35 mA
33 Hz
-25 ° C to 55 ° C
LED
22 m
ja
yes
yes
yes
IP67
DIN EN 60947-5-2:2008
Plastic
Connector M12 4pol

Errors and omissions exceptet