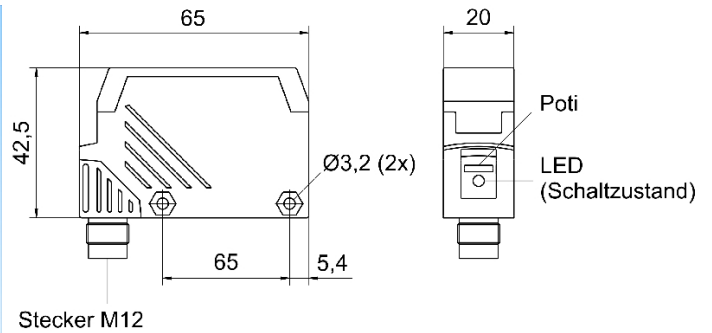
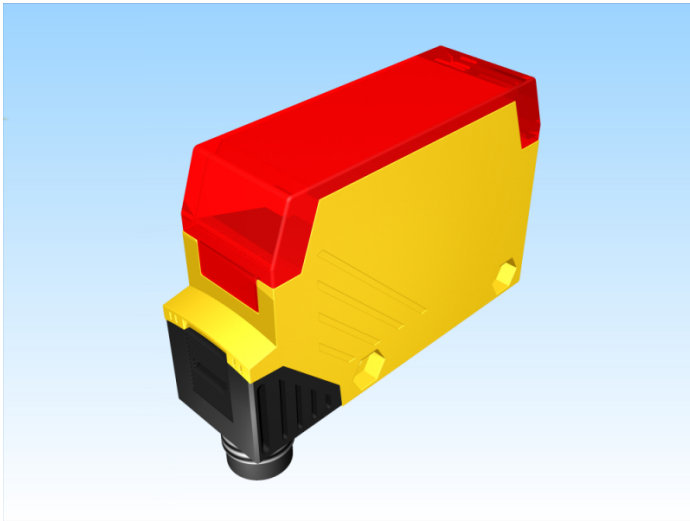


[Article Page](#)


Product Description

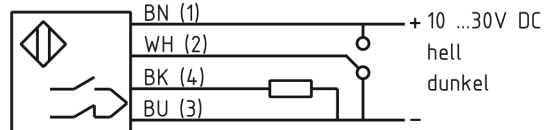
one-way light barrier



Name  
Order number  
Switch type  
  
Signal Type  
Illuminant  
Connection  
Connection diagramm

KOES22M-Q64KB-DPU-V2-IR  
08363215011

 Switchable  
PNP  
IR Infrared light 880 nm  
connector M12



Q 20 x 60 x 43

Dimension (in mm)  
Technical Specification  
Operating voltage  
Max. load current  
No load current  
Switching frequency  
Operating temperature  
Switching state  
Measuring range  
Sensitivity adjustable  
Short-circuit proof  
Overload protection  
Reverse voltage protection  
Protection category  
EMC-level  
Housing material  
Termination

10 - 30 V DC  
100 mA  
< 35 mA  
33 Hz  
-25 ° C to 55 ° C  
LED  
22 m  
ja  
yes  
yes  
yes  
IP67  
DIN EN 60947-5-2:2008  
Plastic  
Connector M12 4pol

**Errors and omissions exceptet**