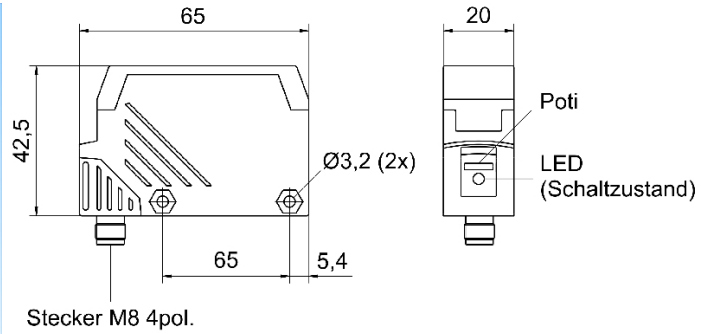
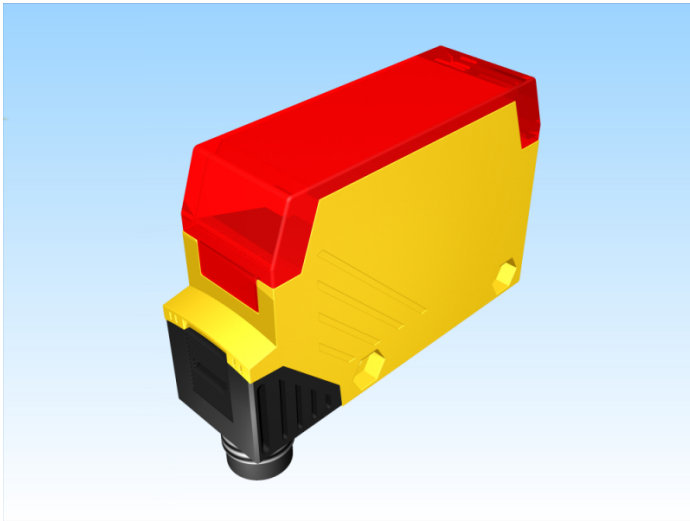


[Article Page](#)

Product Description

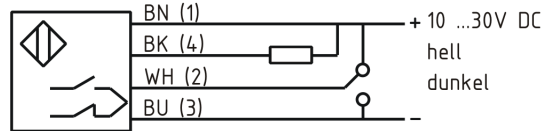
reflex light probe with background suppression



Name
 Order number
 art_schaltabstand_einstellbar
 Switching distance
 Switch type

 Signal Type
 Illuminant
 Connection
 Connection diagramm

KORH300-Q64KB-DNU-V1-RT
 08361215004
 yes
 from 100 mm to 300 mm
 Switchable
 NPN
 Red light 650 nm
 connector M8



Q 20 x 60 x 43

Dimension (in mm)
 Technical Specification
 Signal type
 Operating voltage
 Max. load current
 No load current
 Switching frequency
 Operating temperature
 Switching state
 Short-circuit proof
 Overload protection
 Reverse voltage protection
 Protection category
 EMC-level
 Housing material
 Termination

Background suppression sensor
 10 - 30 V DC
 100 mA
 < 35 mA
 33 Hz
 -25 ° C to 55 ° C
 LED
 yes
 yes
 yes
 IP67
 DIN EN 60947-5-2:2008
 Plastic
 Connector M8 4pol

Errors and omissions exceptet