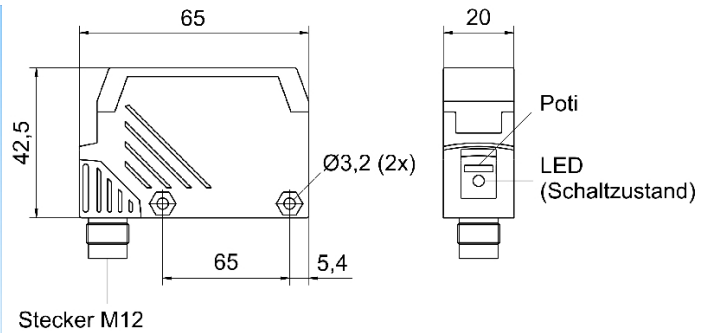
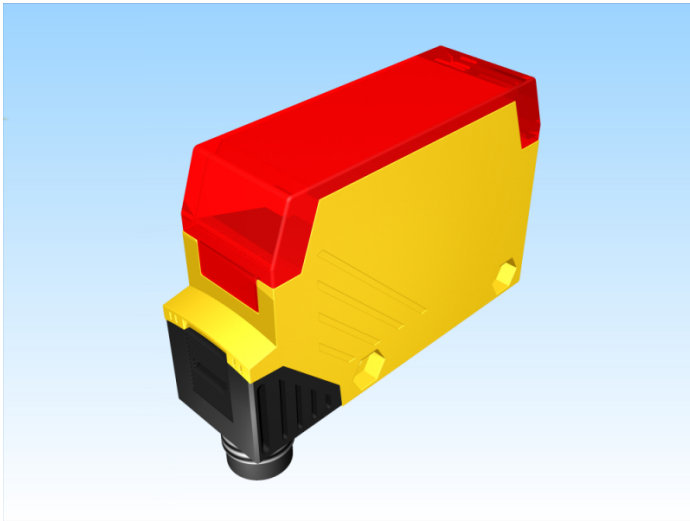


[Article Page](#)

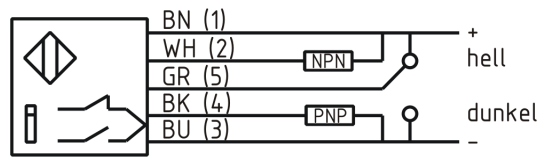
Product Description

reflex light probe with background suppression



Name  
 Order number  
 art\_schaltabstand\_einstellbar  
 Switching distance  
 Switch type  
  
 Signal Type  
 Illuminant  
 Connection  
 Connection diagramm

KORH500-Q64KB-DMU-V2-RT  
 08361215024  
 yes  
 from 150 mm to 500 mm  
 Switchable  
 PNP/NPN  
 ● Red light 650 nm  
 connector M12



Dimension (in mm)  
 Technical Specification  
 Signal type  
 Operating voltage  
 Max. load current  
 No load current  
 Switching frequency  
 Operating temperature  
 Switching state  
 Short-circuit proof  
 Overload protection  
 Reverse voltage protection  
 Protection category  
 EMC-level  
 Housing material  
 Termination

Q 20 x 60 x 43  
 Background suppression sensor  
 10 - 30 V DC  
 100 mA  
 < 35 mA  
 33 Hz  
 -25 ° C to 55 ° C  
 LED  
 yes  
 yes  
 yes  
 IP67  
 DIN EN 60947-5-2:2008  
 Plastic  
 Connector M12 5pol

**Errors and omissions exceptet**