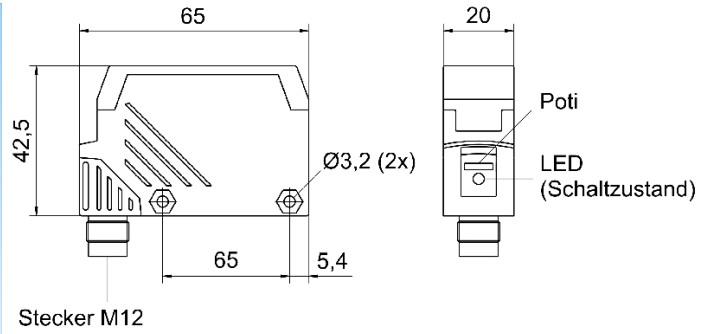
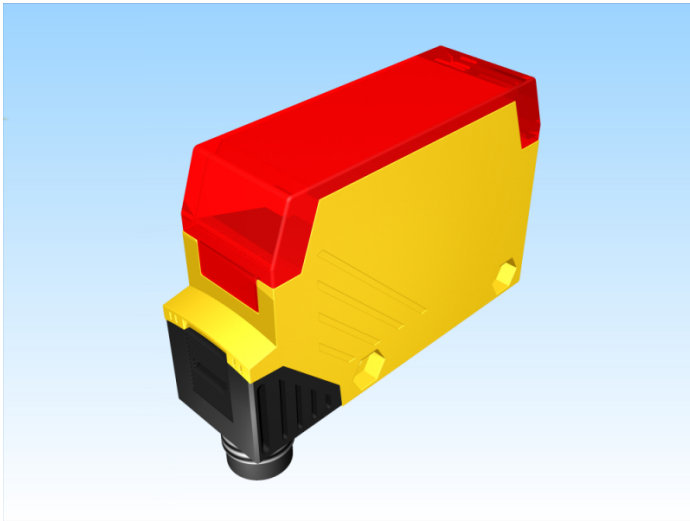


[Article Page](#)

Product Description

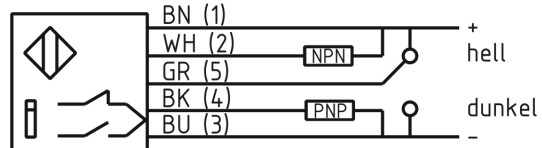
reflex light barrier



Name  
Order number  
Switch type  
  
Signal Type  
Illuminant  
Connection  
Connection diagramm

KORP13M-Q64KB-DMU-V2-RT  
08362215009

 Switchable  
PNP/NPN  
 Red light 650 nm  
connector M12



Dimension (in mm)  
Technical Specification  
Signal type  
Operating voltage  
Max. load current  
No load current  
Switching frequency  
Operating temperature  
Switching state  
Measuring range  
Sensitivity adjustable  
Short-circuit proof  
Overload protection  
Reverse voltage protection  
Protection category  
EMC-level  
Housing material  
Termination

Q 20 x 60 x 43  
Polarized retroreflective sensor  
10 - 30 V DC  
100 mA  
< 35 mA  
700 Hz  
-25 ° C to 55 ° C  
LED  
13 m  
ja  
yes  
yes  
yes  
IP67  
DIN EN 60947-5-2:2008  
Plastic  
Connector M12 5pol

**Errors and omissions exceptet**